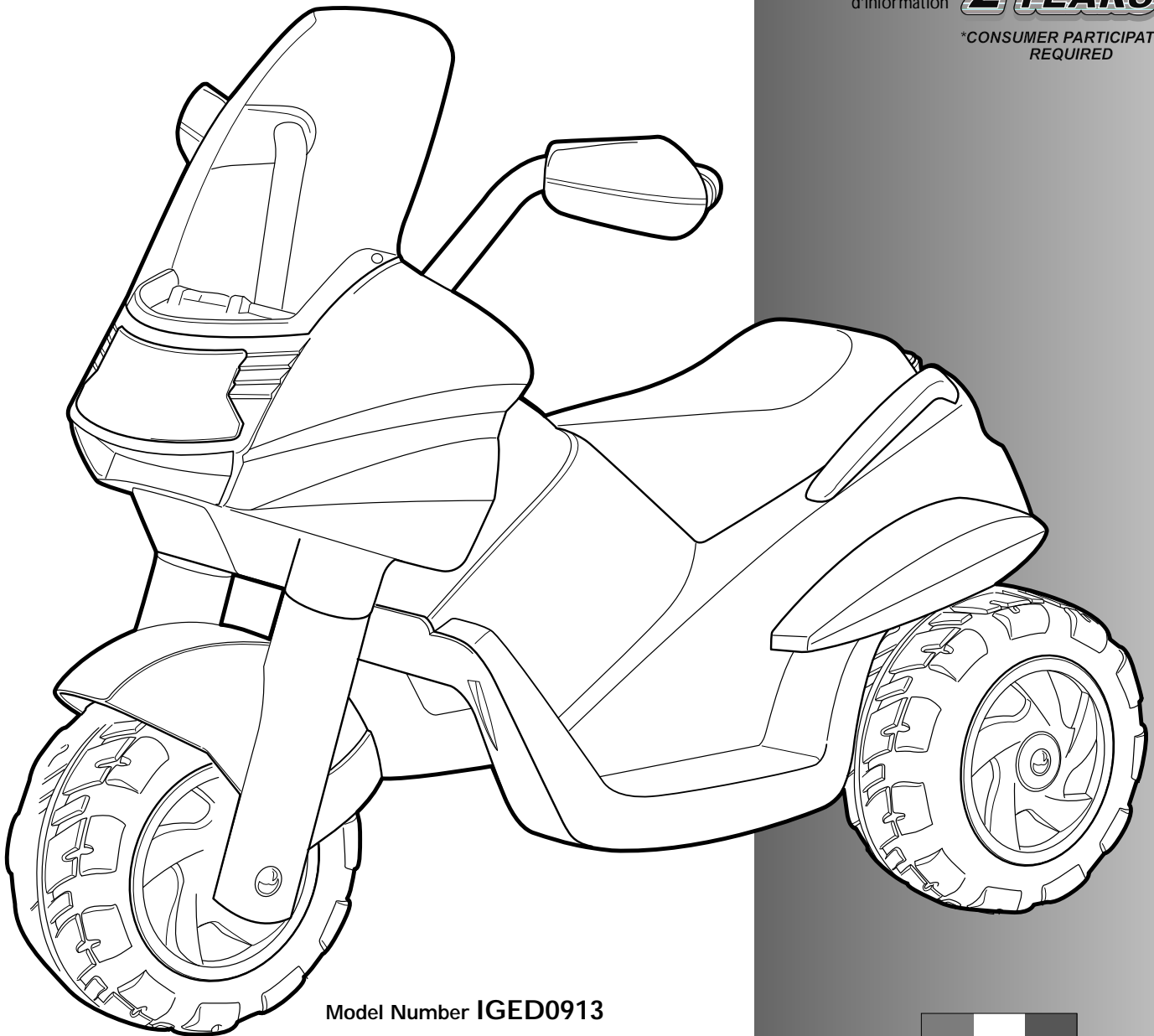




FIUS0901G140

DUCATI 1098

6VOLT



Model Number IGED0913

USE AND CARE **EN**

EMPLOY MANUTENCION **ES**

UTILISATION ET ENTRETIEN **FR**

See separate insert sheet for more information

Vea la hoja separada del separador de millares para más información

Voir la feuille séparée d'insertion pour plus d'information



2 YEARS*

*CONSUMER PARTICIPATION REQUIRED



MADE in ITALY

SEE VERBAL INSTRUCTIONS
AFTER THE PICTURES

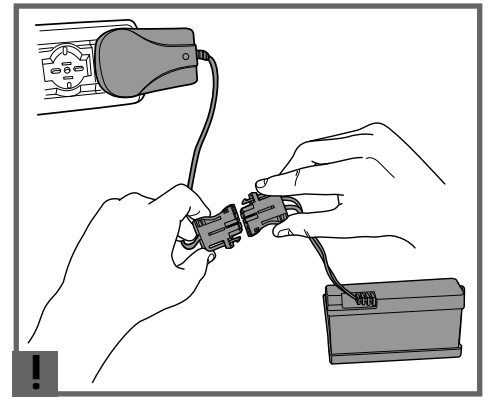
VER LAS INSTRUCCIONES
DESPUÉS DE LOS DISEÑOS

VOIR LES INSTRUCTIONS APRÈS
LES DESSINS

INITIAL BATTERY CHARGE

PRIMERA CARGA DE LA
BATERÍA

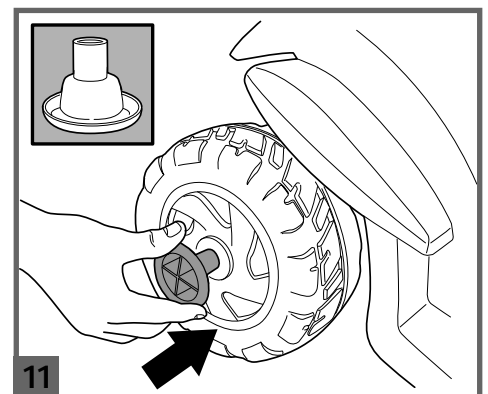
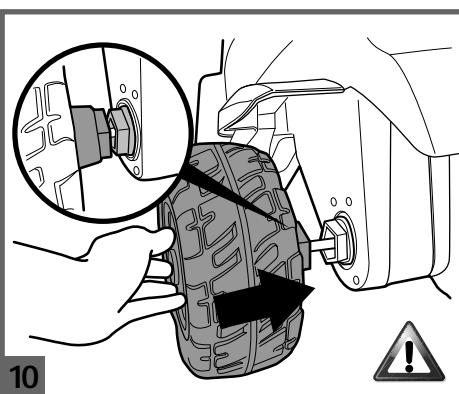
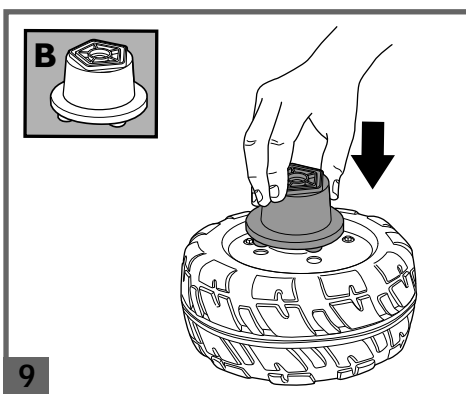
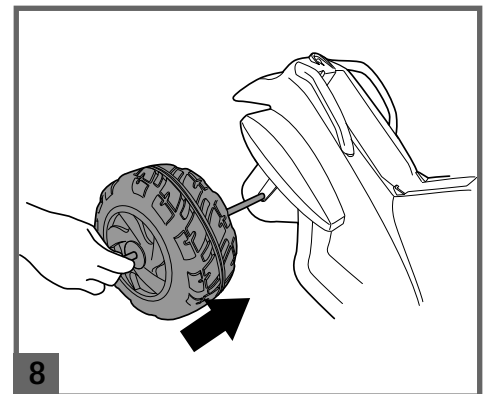
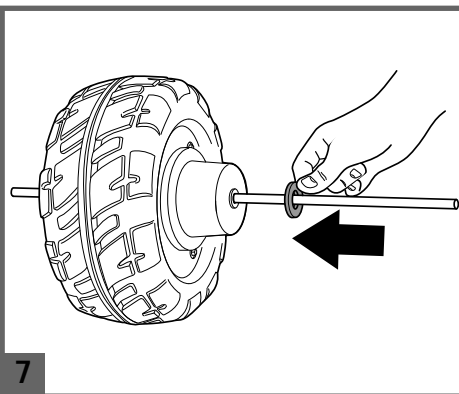
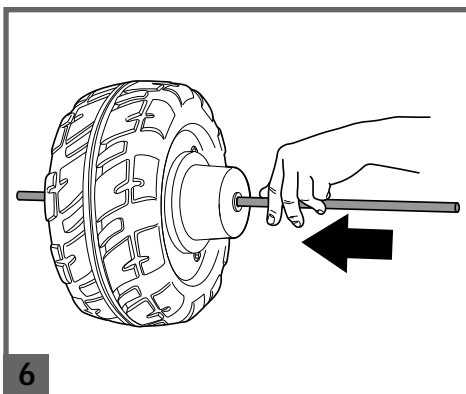
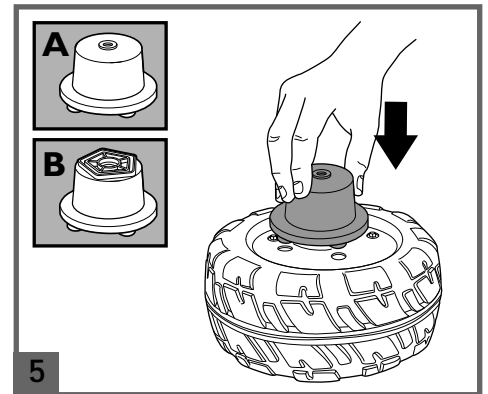
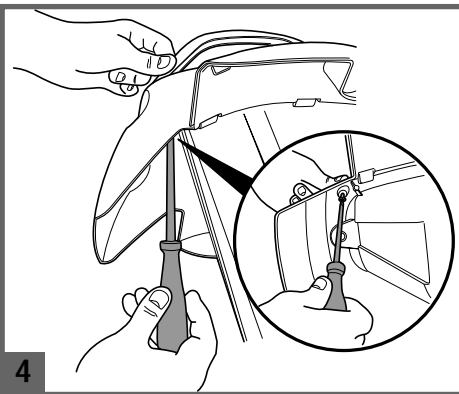
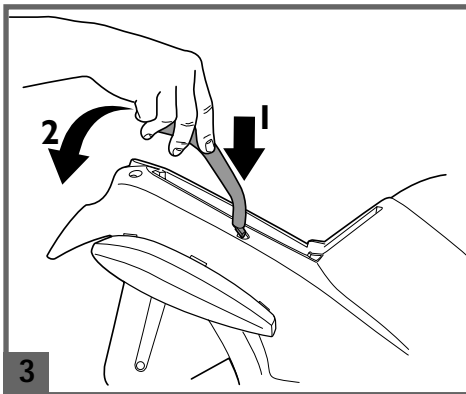
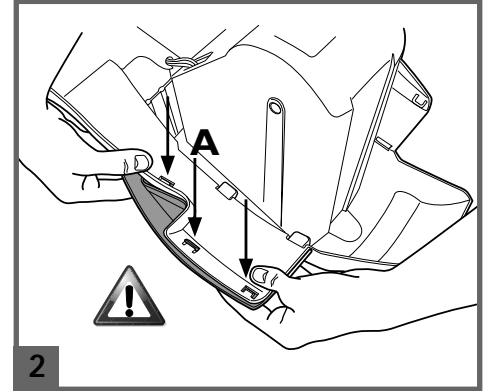
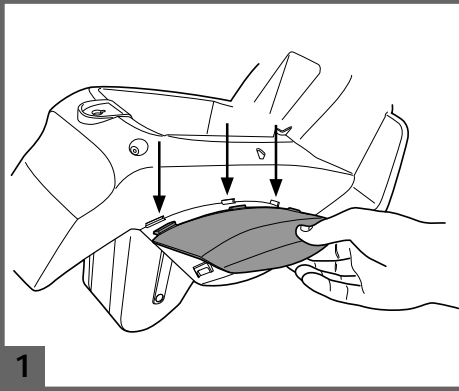
PREMIÈRE CHARGE DE
BATTERIE

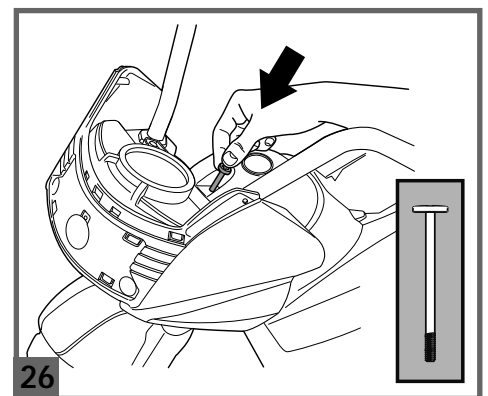
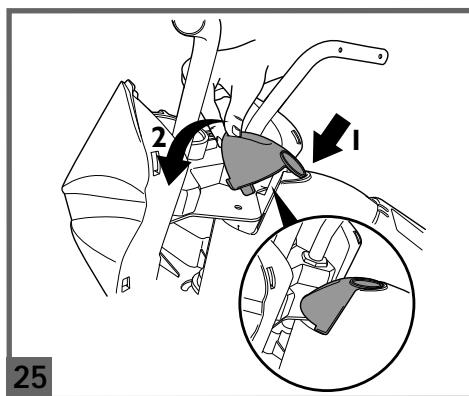
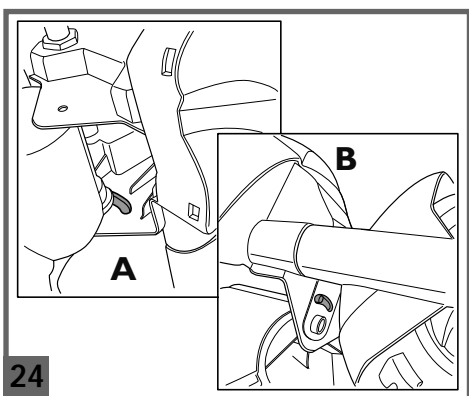
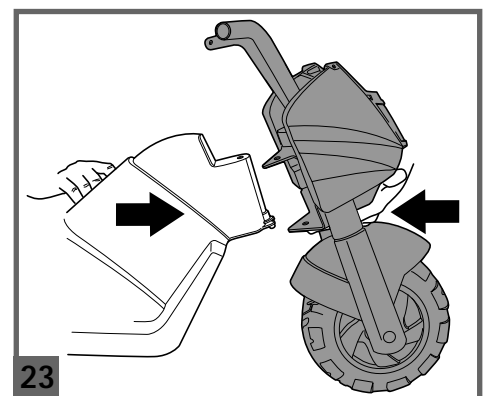
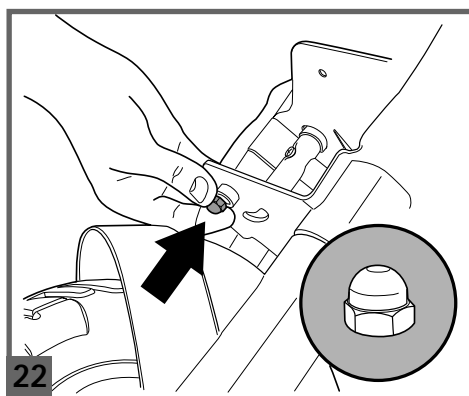
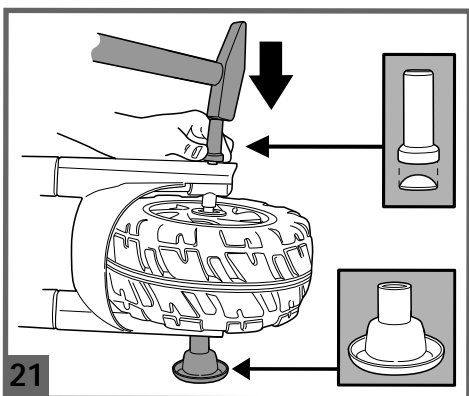
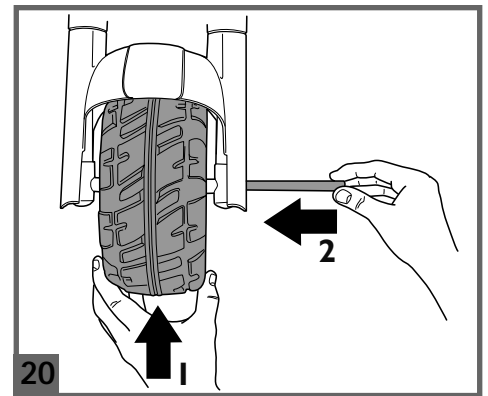
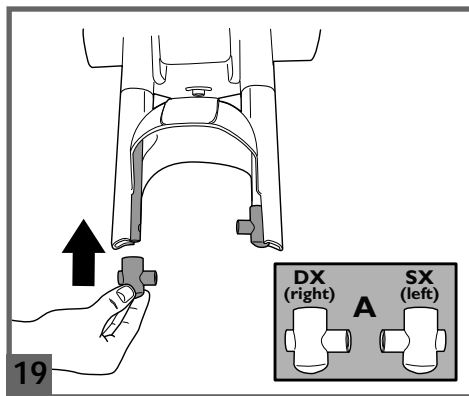
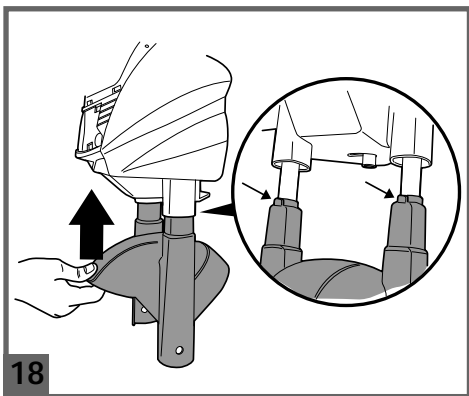
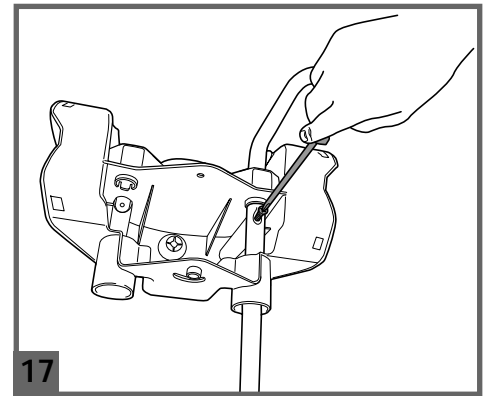
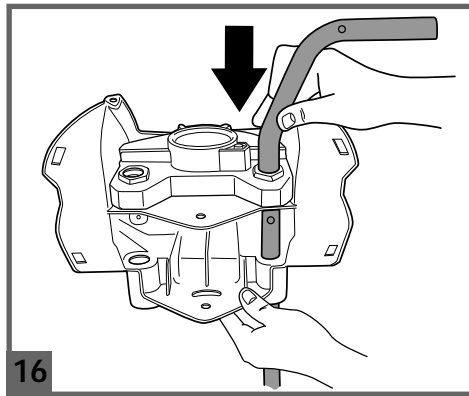
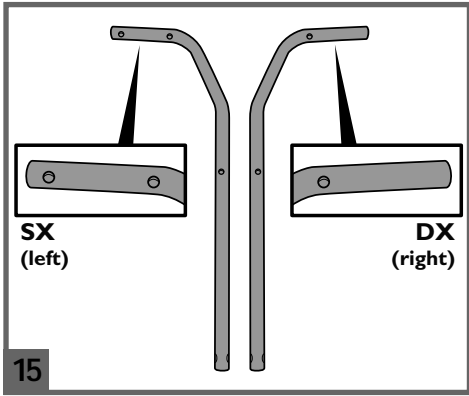
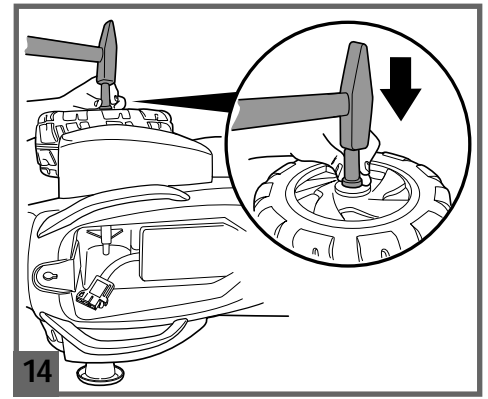
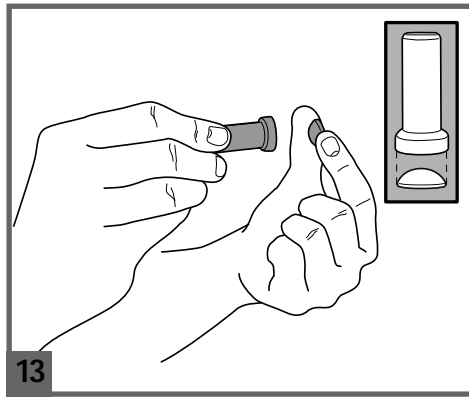
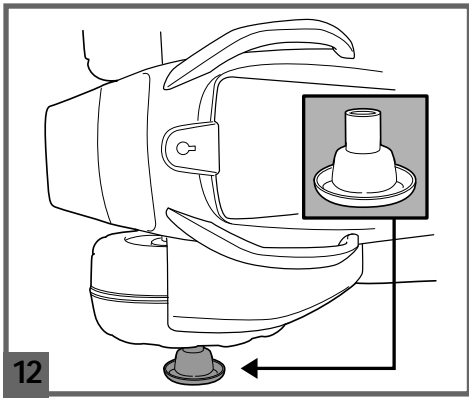


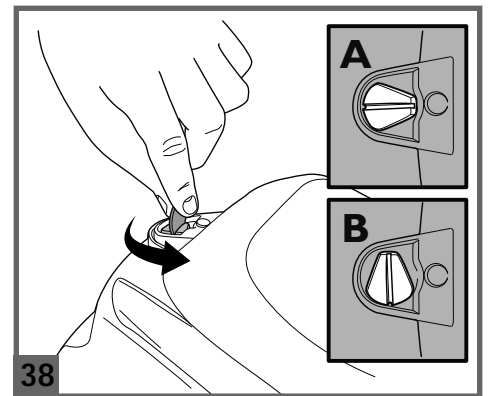
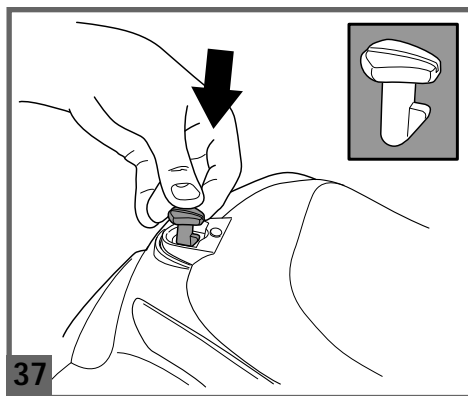
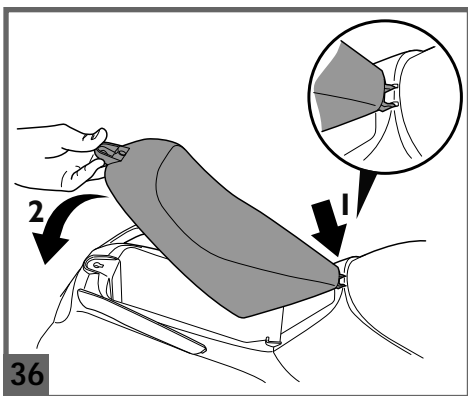
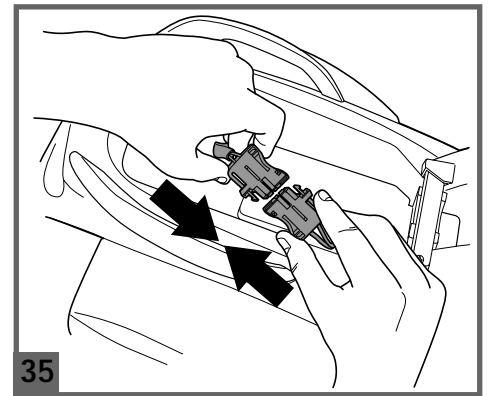
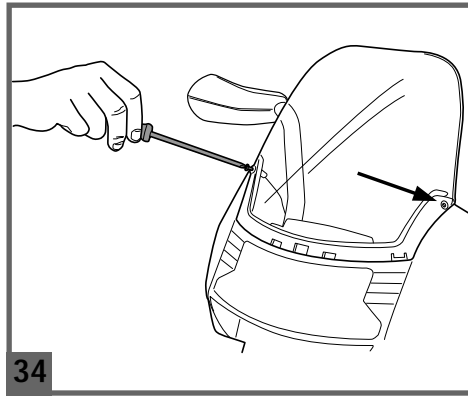
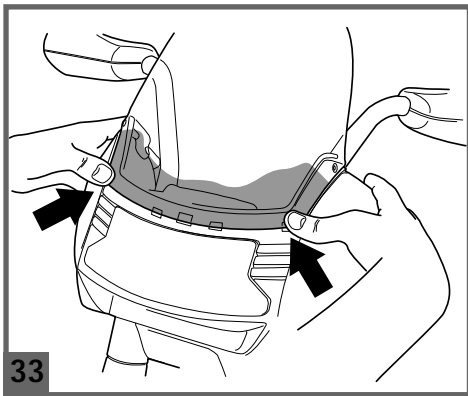
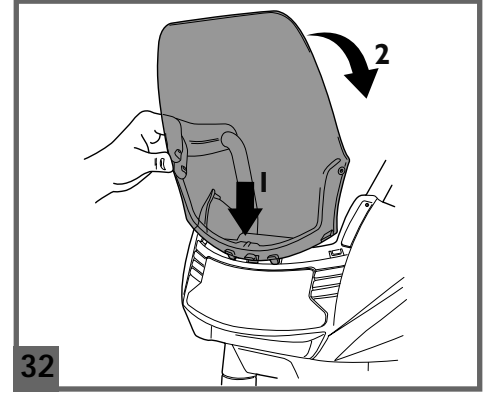
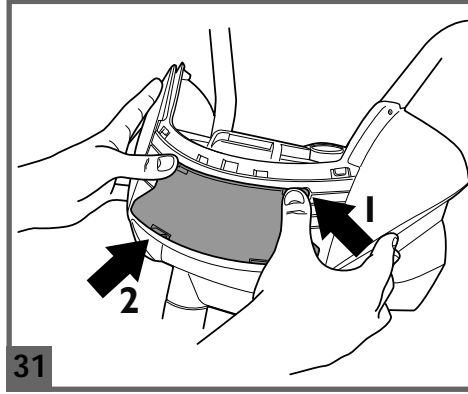
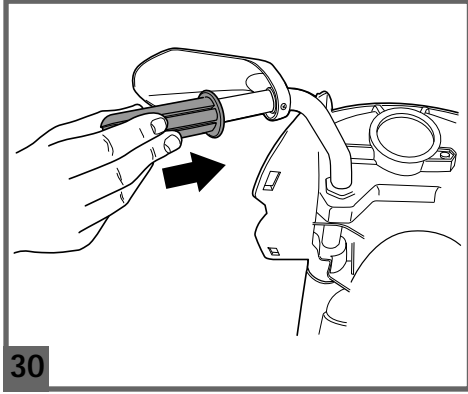
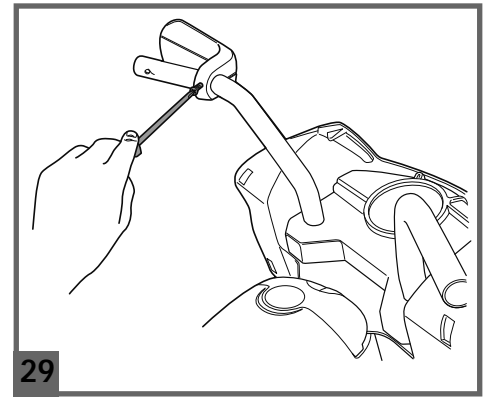
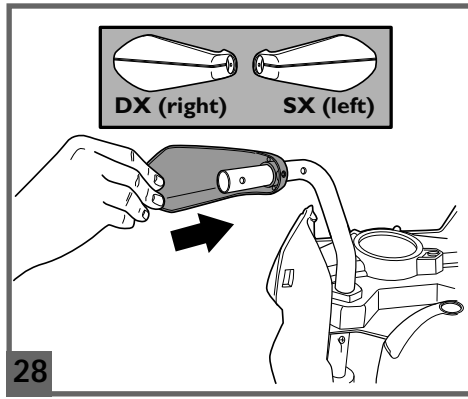
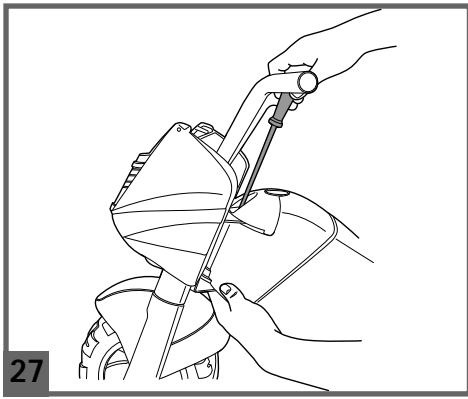
ASSEMBLY

MONTAJE

MONTAGE



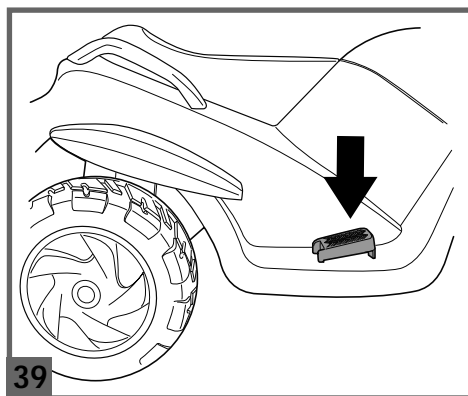




VEHICLE FEATURES AND INSTRUCTIONS FOR USE

CARACTERÍSTICAS Y USO DEL VEHÍCULO

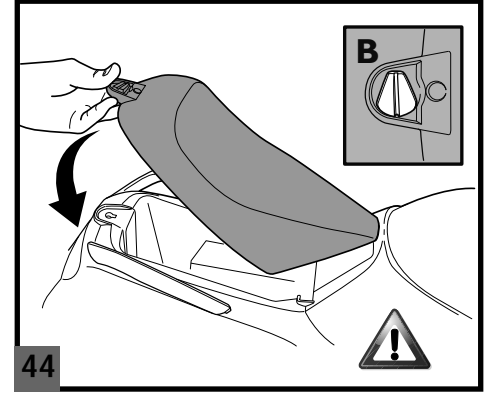
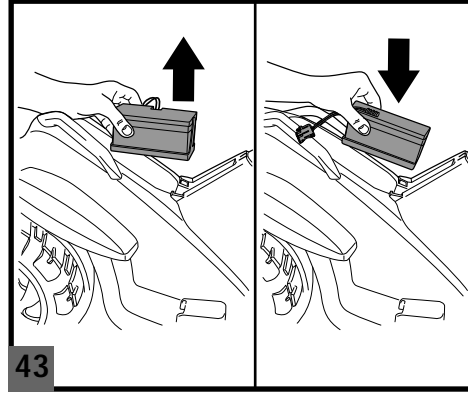
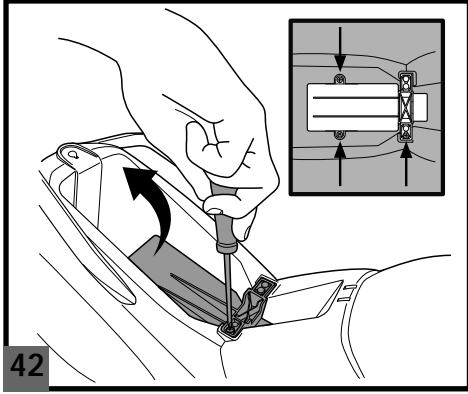
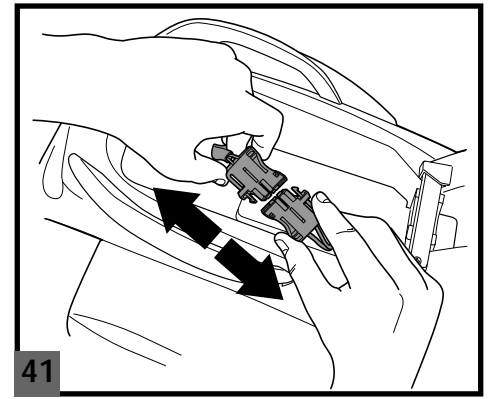
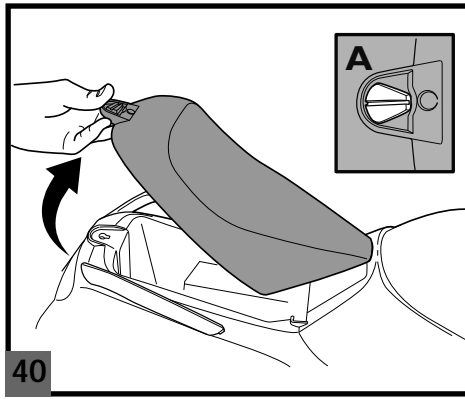
CARACTÉRISTIQUES ET UTILISATION DU VÉHICULE



BATTERY REPLACEMENT

CAMBIO DE LA BATERÍA

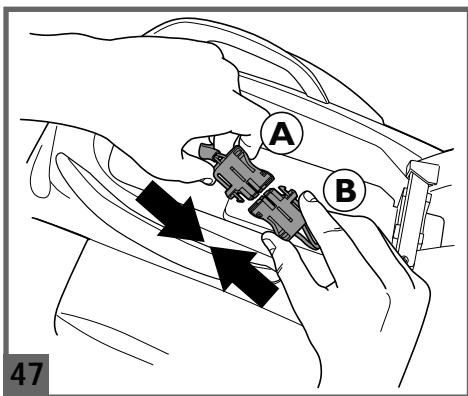
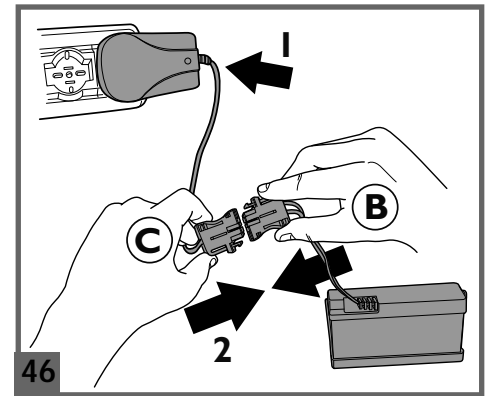
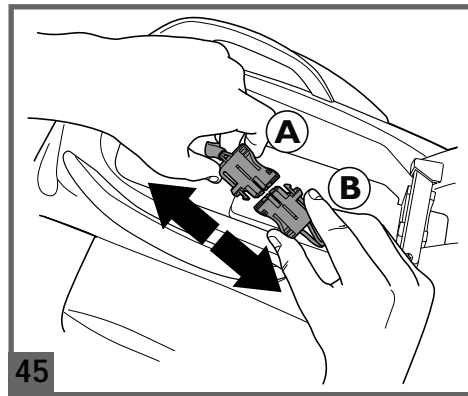
REPLACEMENT DE LA BATTERIE

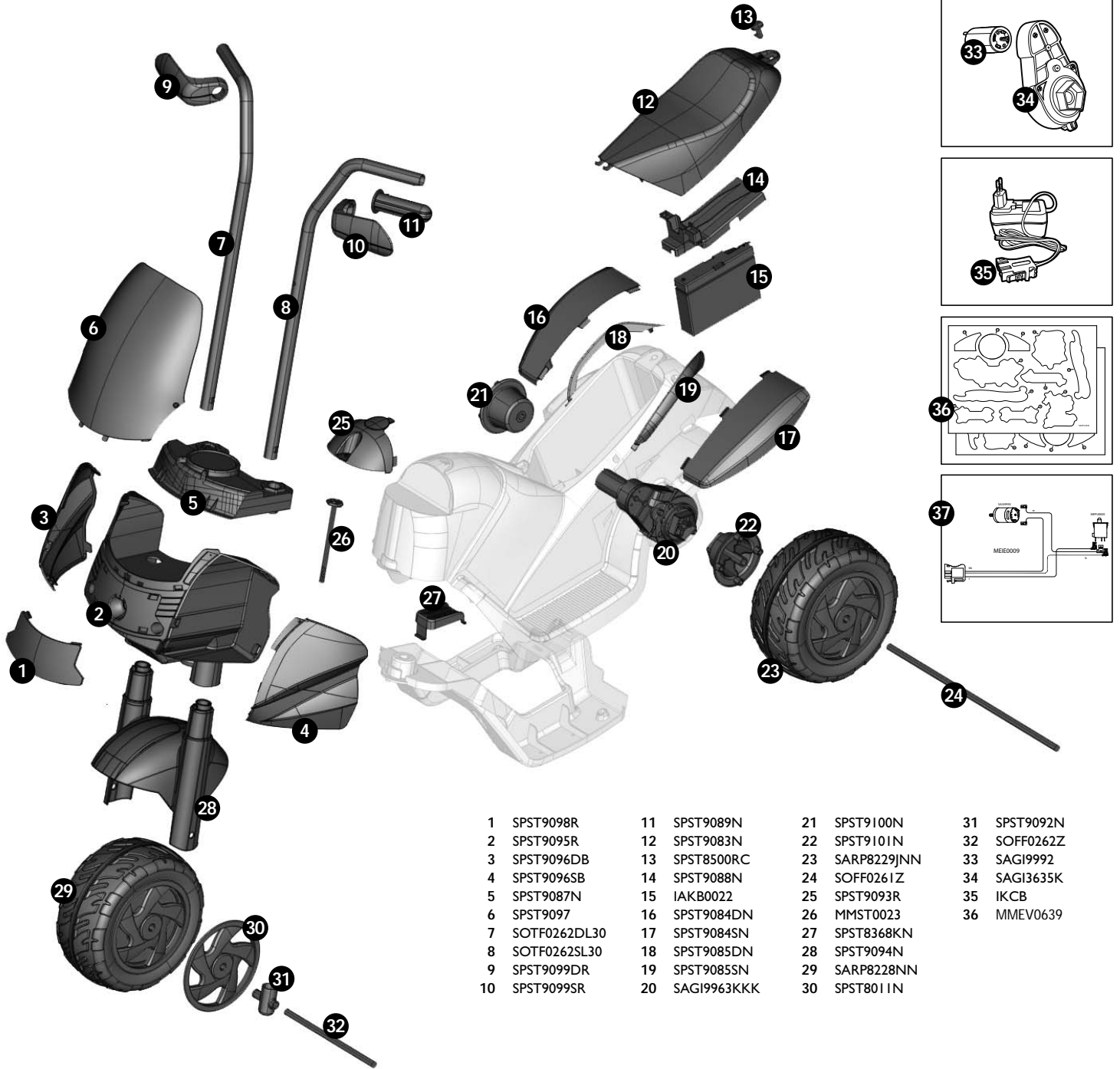


BATTERY RECHARGE

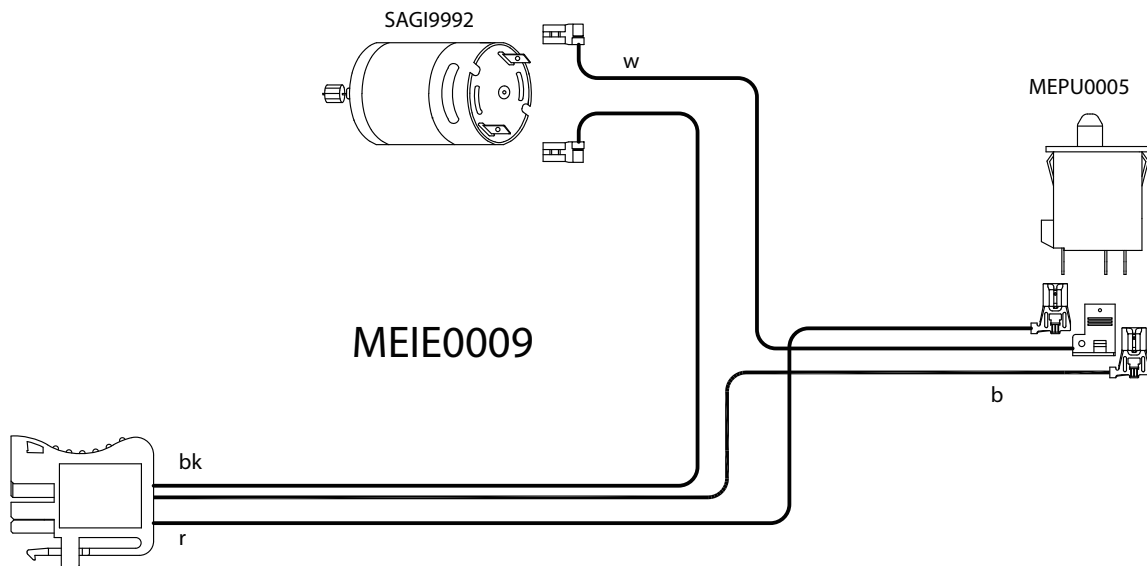
CARGA DE LA BATERÍA

CHARGE DE LA BATTERIE





- | | | | |
|----------------|----------------|----------------|--------------|
| 1 SPST9098R | 11 SPST9089N | 21 SPST9100N | 31 SPST9092N |
| 2 SPST9095R | 12 SPST9083N | 22 SPST9101N | 32 SOFF0262Z |
| 3 SPST9096DB | 13 SPST8500RC | 23 SARP8229JNN | 33 SAGI9992 |
| 4 SPST9096SB | 14 SPST9088N | 24 SOFF0261Z | 34 SAGI3635K |
| 5 SPST9087N | 15 IAKB0022 | 25 SPST9093R | 35 IKCB |
| 6 SPST9097 | 16 SPST9084DN | 26 MMST0023 | 36 MMEV0639 |
| 7 SOTF0262DL30 | 17 SPST9084SN | 27 SPST8368KN | |
| 8 SOTF0262SL30 | 18 SPST9085DN | 28 SPST9094N | |
| 9 SPST9099DR | 19 SPST9085SN | 29 SARP8228NN | |
| 10 SPST9099SR | 20 SAGI9963KKK | 30 SPST8011N | |



PEG PEREGO® thanks you for choosing this product. For almost 60 years, PEG PEREGO have been taking children for an outing: first with its famous baby carriages and strollers, later with its pedal and battery operated toy vehicles.

Discover our complete range of products, news and other information about the Peg Perego world on our web site www.pegperego.com

IMPORTANT INFORMATION

- Read this instruction manual carefully to learn the use of the vehicle and to teach your child safe and enjoyable driving. Please keep this manual (with your original sales receipt) for use as a reference in the future.
- **DO NOT RETURN YOUR VEHICLE TO THE STORE. This product cannot be returned for a refund after it has been used. If you have ANY questions, need replacement parts or need assistance, call us toll-free; U.S.A. , call 1-800-728-2108 / CANADA, call 1-800-661-5050**
- This product meets and/or exceeds all ASTM (American Society for Testing and Materials) TOY SAFETY STANDARDS, including F 963, Consumer Toy Safety Specifications as well as C.R.C, c.931, the Canadian Hazardous Products (Toys) Regulations.
- Tools needed for assembly: small and medium phillips screwdrivers and a hammer.
- Your new vehicle is partially pre-assembled. It will require adult assembly. Please set aside at 45 minutes for assembly.
- Before the vehicle is used for the first time, charge the battery for 18 hours to initiate them. Failure to do this can result in permanent battery damage.
- Use only with the included Peg Perego 6 Volt lead-acid, rechargeable battery and a Peg Perego 6 Volt Charger (both included).

• Year 2+

• Weight capacity 44 lbs

- Do not exceed the maximum total weight capacity of 44 lbs (20Kg).

Contents:

- 1 Raider Police or 1 Rider Princess riding vehicle -- partially assembled
- 1 Rechargeable 6V 3,3Ah sealed lead-acid battery
- 1 Charger 6V
- one 60 W motor -- pre installed
- assembly hardware
- parts to be assembled
- decals

- Speed: 2.6 mph

- On vehicles that have forward & reverse; please teach your child to stop the vehicle before switching directions to prevent damage to the drive mechanism.

- Peg Perego reserves the right to modify or change its products. Price, literature, manufacturing processes or locations or any combination of the above mentioned entities may change at any time for any reason without notice with impunity.

⚠ CAUTION:

ELECTRIC VEHICLE NOT RECOMMENDED FOR CHILDREN UNDER 2 YEARS OF AGE. AS WITH ALL ELECTRIC PRODUCTS, PRECAUTIONS SHOULD BE OBSERVED DURING HANDLING AND USE TO PREVENT ELECTRIC SHOCK. RECHARGER INCLUDED. 120 VOLTS, 60Hz, 15W INPUT, 6 VOLTS (DC) OUTPUT.

⚠ CAUTION:

Only adults should recharge batteries never children.

Never allow children to handle batteries.

Only use the batteries specified by the manufacturer. Only use the charger specified by the manufacturer.

Do not mix old and new batteries.

Do not mix alkaline, standard (carbon-zinc), or rechargeable (nickel-cadmium) batteries.

CHARGING THE BATTERY

- Charge the batteries no longer than 24 hours, following the instructions enclosed with the battery charger.
- Charge the battery, as the vehicle shows low power, in this way you will avoid damage to the battery.
- If you don't use your vehicle for a long period of time unplug the battery from the main wire harness of the vehicle. Remember to charge the battery at least every three months.
- Never charge the battery upside down.
- Do not forget batteries during charging! Check them periodically.
- Never use a replacement recharger or batteries unless they are approved by PEG PEREGO.
- Batteries are sealed and maintenance free.
- Battery polarity must be observed when connecting battery to wiring.

⚠ WARNING:

- BATTERIES CONTAIN TOXIC AND CORROSIVE SUBSTANCES. DO NOT TAMPER WITH THEM.
- Batteries contain an acid-based electrolyte.
- Do not make direct contact between battery terminals, as this can cause an explosion or fire.
- Charging produces explosive gases. Charge batteries in a well ventilated area away from sources of heat and flammable materials.
- Exhausted batteries are to be removed from the vehicle.
- Do not place the batteries near clothing to avoid damage.

IF A LEAK DEVELOPS

Shield your eyes. Avoid direct contact with the electrolyte, protect your hands.

Place battery in a plastic bag and follow directions listed below.

IF ELECTROLYTE COMES IN CONTACT WITH SKIN OR CLOTHING

Flush with cool water for at least 15 minutes.

See a physician at once.

IF ELECTROLYTE IS INJECTED

Give tap water, milk of magnesia or egg whites at once.

Do not induce vomiting.

See a physician at once.

DISPOSAL OF BATTERIES

Help protect the environment!

Do not throw used batteries in your regular, household trash.

Dispose of the old batteries in an approved dumping station; contact your local environmental protection agency office for further information.

Pb



INITIAL BATTERY CHARGE

! Remove battery and charger from packaging. Connect battery charger to a 120vac wall recepticle. Connect battery charger to battery.

ASSEMBLY INSTRUCTIONS

CAUTION:

ADULT ASSEMBLY REQUIRED.

USE CARE WHEN UNPACKING AS COMPONENTS TO BE ASSEMBLED MAY POSE A SMALL PARTS/SHARP EDGE HAZARD.

BATTERY ALREADY INSTALLED IN VEHICLE.

- 1 • Clip the rear fender into place by inserting the 3 tabs in the slots in the body shown by the arrows.
- 2 • Turn the body upside down and attach the fender to it by pressing it, making sure the centre tab is inserted first (A).
 - Repeat steps 1 and 2 on the other side.
- 3 • Insert the handle in the hole in the body (1) and turn it downwards (2). PLEASE NOTE: The two handles are different. Position them with the flat side facing the saddle.
- 4 • Turn the body over to access the underside and attach the handle with the screw provided.
 - Repeat steps 3 and 4 with the other handle.
- 5 • Place bushing A into one of the 2 rear wheels (hubcap on 1 side only); align the 4 pins with the holes.
- 6 • Insert the long metal axle into the wheel.
- 7 • Slide a washer onto the axle.
- 8 • Insert the axle with the wheel and washer in the hole on the right hand side of the body, as shown in the figure.
- 9 • Place the remaining bushing (B) on the other wheel with only one hubcap.
- 10 • Insert the wheel on the axle on the other rear wheel hand side of the body, making sure the wheel bushing is properly fitted into the pentagon on the trike.
- 11 • Place the red tool on one of the two ends of the axle.
- 12 • Turn over the body, keeping the red tool underneath.
- 13 • Insert a retainer in the black tool.
- 14 • Put it on the other end of the axle as shown in the figure and use a hammer to secure the wheel with the retainer.
 - Turn the trike over and repeat the procedure to secure the other wheel.
- 15 • Look closely at the handlebar tubes to ensure they are fitted properly. The left hand tube (marked SX/Left) has two holes in the upper section, unlike the right hand one (marked DX/Right).
- 16 • Insert the right tube in the right hand side of the front section, as shown in the figure.
- 17 • Secure it with the screw provided.
 - Repeat steps 16 and 17 with the left tube.
- 18 • Insert the front fender onto the handlebar tubes, positioning it as shown in the figure. PLEASE NOTE: The fender is fitted with two tabs that prevent it from being fully attached if it is inserted incorrectly.
- 19 • Insert the caps in the handlebar tubes, positioning them as shown in figure A.
- 20 • Insert the wheel between the tubes and line up all the holes. Insert the short metal axle.
- 21 • Put the red tool in place and turn over the entire handlebar unit, keeping the red tool underneath.
 - Insert a retainer in the black tool and secure the wheel as shown in the figure.
 - Turn the handlebar unit onto the other side and repeat the procedure to secure the wheel there too.
- 22 • Attach the nut provided under the front section.
- 23 • Attach the handlebar unit to the body, ensuring that the clip locks into place in the part below the front section (see the details in the following picture).
- 24 • The clip has to lock into the curved slot, as shown in detail in the figure (A: view from above - B: view from below).
- 25 • Attach the tank cover by clipping into place the 3 tabs in the body, as shown in the figure.
- 26 • Insert the threaded pin.
- 27 • Fasten the threaded pin to attach the handlebar unit to the body, holding the nut under the front section still with the other hand.
- 28 • Insert the hand guard marked DX (right) on the right handlebar tube and the hand guard marked SX (left) on the left handlebar tube. The picture shows how to fit the hand guard marked SX (left).
- 29 • Secure the hand guards with the screws provided.
- 30 • Wet the inside of the rubber grip to make it easier to slide onto the handlebar tube. The rubber grips are identical and can go on the right or left side.
- 31 • Clip the headlight into place, pressing first on the upper part and then on the lower part.
- 32 • Insert the windshield into the upper part of the front section.
- 33 • Press the windshield against the front section in the points shown in the figure.
- 34 • Attach the windshield with the two screws provided.
- 35 • Connect the electrical system plug to the battery.
- 36 • Insert the front part of the saddle in the body (1), then pull it down (2).
- 37 • Push the locking clip all the way down in the hole at the rear of the saddle.
- 38 • Turn the locking clip to position B to secure the saddle.

VEHICLE FEATURES AND INSTRUCTIONS FOR USE

- 39 • The vehicle is ready for use. With both hands on the handlebar, press the accelerator pedal with your foot.

BATTERY REPLACEMENT

WARNING:

WARNING: BATTERY CHARGING AND ANY OTHER OPERATION ON THE ELECTRICAL SYSTEM MUST BE CARRIED OUT BY ADULTS ONLY.

THE BATTERY CAN ALSO BE CHARGED WITHOUT REMOVING IT FROM THE VEHICLE.

- 40 • Turn the locking clip to position A to release the saddle. Remove the saddle.
- 41 • Disconnect the vehicle's electrical system connector from the battery.
- 42 • Unfasten the 3 screws on the battery holder. Remove the battery holder.
- 43 • Replace the flat battery with another battery that has been charged for at least 14 hours. PLEASE NOTE: Replacement batteries are only sold with electrical power of 6V/8Ah. This does not affect the operation of the vehicle.
- 44 • Replace the battery holder and secure it with the 3 screws. Reconnect the plugs. Replace the saddle and turn the locking clip to position B.
 - WARNING: After working inside the battery compartment, always remember to secure the components with the screw and clip.

BATTERY RECHARGER

- 45 • Disconnect plug A of the electrical system from the battery plug B by pressing the sides.
- 46 • Plug the battery charger into a domestic power supply, following the instructions provided with it. Connect plug B to the battery charger plug C.
 - When charging is complete, unplug the battery charger from the domestic socket and then disconnect plug C from plug B.
- 47 • Push plug B into plug A until it clicks into place. After completing the procedure, always remember to replace and secure the saddle.

RULES FOR SAFETY DRIVING

DON'T STOP THE FUN: always have freshly charged, back-up batteries on hand.

For your child's safety: please read and follow all instructions below before operating.

• **ATTENTION:**

Check the fastening retainers to be sure they are tight.

• **FORWARD SPEED:**

With both hands on the handlebars, press down on the accelerator pedal; the vehicle goes forward at 2,5mph.

• **BRAKE:**

The electric braking system stops the vehicle automatically when your child lifts his foot off the pedal.

Teach your child the proper use of this vehicle for a safe and fun play time.

- Before starting be sure that the way is free from people and objects.
- Drive with both hands on the handlebar and keep your eyes on the road at all times.
- Please teach your child to stop in time to avoid running into objects or people and to immediately release the accelerator pedal if they do run into an object or person.

⚠ CAUTION:

- **If the vehicle is overloaded, as can happen on soft sand, mud, or very uneven ground, the overload switch will immediately disconnect the power. The power supply will be restored after a few seconds.**

VEHICLE MAINTENANCE AND SAFETY

This product meets and/or exceeds all ASTM (American Society for Testing and Materials) TOY SAFETY STANDARDS, including F 963, Consumer Toy Safety Specification.

This vehicle is not intended for use on streets, around traffic or parked cars.

MAINTENANCE AND CARE

- Regularly check the conditions of the vehicle, particularly the electrical system, the plug connections, the covering caps and the charger. In case of fault, do not try to use the vehicle and the charger. For repair use only original PEG PEREGO's spare parts.
- PEG PEREGO assumes no liability if the electrical system is tampered with.
- Do not leave vehicle or batteries near sources of heat such as radiators, stoves, fireplaces, etc.
- Protect vehicle from water, rain, snow, etc.
- When operating in overload conditions, such as soft deep sand, mud or rough uneven terrain, the overload circuit breaker will automatically disconnect the power. After 10 or more seconds, the circuit breaker will automatically reset, however you must eliminate overload conditions to resume normal driving.
- Periodically lubricate (with a light weight oil) moving parts, such as wheel bearings, steering linkages, where they rotate or touch one another.
- The vehicle's surface can be cleaned with a dampcloth. Do not use abrasive cleaners. The cleaning must be carried out by adults only.
- Never disassemble the vehicle mechanisms or motor unless authorized by PEG PEREGO.

SAFETY

⚠ WARNING:

- To reduce the risk of injury, adult supervision is required. Never use in roadways, near motor vehicles, on or near steep inclines or steps, swimming pools or other bodies of water; always wear shoes, and never allow more than one rider.
- Surface that are appropriate for use: asphalt, cement, tiles and slopers up to 5%.
- A child must be 2 years of age or older for the necessary coordination and maturation to operate this motorized vehicle safely.
- Never use the vehicle on steep slopes or near steps or stairs. This vehicle is not suitable for use on public highways.
- Children should always wear shoes when riding in or driving a riding vehicle.
- The use of a certified bicycle helmet is strongly recommended.
- Do not allow children to place their hands, feet or any part of their body, clothing or other articles near the moving parts while vehicle is in operation.
- Do not allow the electrical components, motors, wiring, switches of your motorized vehicle to become wet and never wash it with a hose.
- Never use gasoline or other flammable substances near the vehicle.
- The vehicle is designed just for one child: never allow more than one rider

PROBLEMS?

IF THE VEHICLE DOES NOT OPERATE?

- **When operating in overload conditions, such as running the vehicle against a fixed object, through soft deep sand or mud, or over rough or uneven terrain, the overload circuit breaker will automatically disconnect the power. After 10 or more seconds, the circuit breaker will automatically reset, however-you must eliminate overload conditions to resume normal driving.**
- Check that all plugs are properly connected.
- Check electrical switches. Replace if necessary.
- Check that the battery is connected to the electrical system.

IF THERE IS NO POWER?

- Fully recharge the battery. If the problem persists, check with an Authorised PEG PEREGO Service Center.

CUSTOMER SERVICE

For your convenience, PEG PEREGO offers after-sales service, directly or through a network of authorized service centers for repairs or replacement parts.

If you have any questions about your Peg Perego vehicle, please call our toll-free service lines at;

U.S.A , call 1-800-728-2108

CANADA, call 1-800-661-5050

Trained customer service representatives are available to take your call in English or Spanish.

PEG PEREGO® le agradece que haya elegido este producto. Hace más de 60 años que PEG PEREGO lleva a pasear a los niños: al nacer, con sus famosos coches-cuna y coches de paseo, después con los fantásticos vehículos de juguete a pedal y con la batería.

Descubre la gama completa de los productos, las novedades y otras informaciones acerca del mundo Peg Perego en nuestra página Web www.pegperego.com

INFORMACIÓN IMPORTANTE

- Lea este manual de instrucción cuidadosamente para aprender el uso del vehículo y para enseñar su conducir seguro y agradable del niño. Guarde por favor este manual (con su recibo original de las ventas) para el uso como referencia en el futuro.
- **NO VUELA SU VEHÍCULO AL ALMACÉN.** Este producto no se puede volver para un reembolso después de que se haya utilizado. Si usted tenga los preguntas, necesita piezas de recambio o necesita ayuda, llámenos gratis.
USA: 1-800-225-1558, MEXICO: 1-800-710-1369.
- Este producto cumple con y/o sobrepasa los ESTÁNDARES DE SEGURIDAD ASTM TOY, incluido el F 963, Especificaciones de seguridad en juguetes para consumidores y C.R.C, c.931, el Regulaciones Peligrosas Canadienses De los Productos (Juguetes).
- Herramientas necesitadas para el ensamblaje: destornilladores de la phillips medio y pequeño, martillo.
- Su vehículo nuevo se premonta parcialmente. Requiere a ensamblaje de un adulto. Puesto a un lado por favor por lo menos 45 minutos para el ensamblaje.
- Antes de utilizar el vehículo por primera vez, cargar las baterías durante 18 horas. No respetar este procedimiento podría causar daños irreversibles a la batería, anulando su garantía.
- Utilice solamente con la clavija incluida Peg Perego 6 voltio baterías lead-acid, recargables y una clavija Peg Perego de 6 voltio cargadores (ambos incluidos).

• **Años 2+**

• **Peso transportable 44 lbs/20 Kg**

- No exceda la capacidad total máxima del peso de 44 libras (20 kg).

Contenido:

- 1 Raider Police o 1 Rider Princess vehículo de los niños -- ensamblado parcialmente
- 1 batería sellada recarable de plomo ácido de 6V 3,3Ah
- 1 cargador de 6V
- 1 motore de 60 W -- instalado previamente
- dotación física del montaje
- piezas que se montaje
- calcomanías

• Velocidad: 2.6 mph

- Para evitar el deñar de los motores y de los engranajes, enseñe a su niño a parar la dirección de la conmutación del vehículo.
- Peg Perego se reserva el derecho de aportar modificaciones a sus productos. El precio, el manual adjunto, los procesos o lugares de fabricación o una combinación de estos factores pueden provocar cambios sin previo aviso y sin que ello suponga ninguna obligación para Peg Perego.

⚠ PRECAUTION:

LOS VEHICULOS ELECTRICOS NO SON RECOMENDABLE PARA NIÑOS MENORES DE 2 AÑOS. COMO TODOS LOS PRODUCTOS ELECTRICOS, CUANDO SE ESTA MANEJANDO OBSERVE LAS MEDIDAS DE PRECAUCION PARA PREVENIR UN CHOQUE ELECTRICO. EL CARGADOR ESTA INCLUIDO. 1220 VOLTS, 60 HZ, 15W DE ENTRADA, 6 VOLTS (DC) DE SALIDA.

⚠ ADVERTENCIAS:

Las baterías deben ser cargadas sólo por personas adultas.

No deje que los niños jueguen con las baterías.

Use sólo las baterías especificadas por el fabricante. Use solamente el cargador especificado por el fabricante.

No mezcle baterías viejas y nuevas.

No mezcle baterías alcalinas, estándar (carbono-zinc) o recargables (níquel - cadmio).

CARGA DE LAS BATERÍAS

- Cargar la batería siguiendo las instrucciones incluidas en el cargador y no superar en ningún caso las 24 horas. No respetar estos tiempos puede acortar la vida de las baterías.
- Cargue las baterías a tiempo, apenas el vehículo pierda velocidad. De este modo se evitarán otros daños.
- Si el vehículo se queda sin usarlo por largo tiempo, recuérdese de cargar la batería y de mantenerla desconectada de la instalación; repita la operación de carga al menos cada tres meses.
- La batería no debe recargarse en posición invertida.
- ¡No se olvide de las baterías que se están cargando! Contróuelas periódicamente.
- Use sólo el cargador en dotación y las baterías originales PEG PEREGO.
- Las baterías están selladas y no necesitan de mantenimiento.
- Inserte las baterías con la correcta polaridad.

⚠ ATENCIÓN:

• LAS BATERÍAS CONTIENEN SUBSTANCIAS TÓXICAS CORROSIVAS.

NO SE DEBEN MANIPULAR ABUSIVAMENTE.

• Las baterías contiene electrolito de base ácida.

• No provoque el contacto directo entre los terminales de la batería, riesgo de explosión o incendio.

• Mientras se están cargando, las baterías producen gas explosivos. Cárguelas en un lugar bien ventilado, lejos de fuentes de calor y materiales inflamables.

• Las baterías agotadas se deben sacar del vehículo.

• No coloque las baterías sobre prendas porque se podrían dañar.

SI HAY UNA PÉRDIDA

Protéjase los ojos. Evite el contacto directo con el electrolito: proteja sus manos.

Ponga la batería en una bolsa de plástico y siga las instrucciones para la eliminación de baterías.

SI PIEL Y OJOS ENTRAN EN CONTACTO CON EL ELECTROLITO

Lave abundantemente con agua corriente durante al menos 15 minutos.

Consultar un médico inmediatamente.

SI SE INGIERE ELECTROLITO

Tome pequeños sorbos de agua, leche de magnesia o clara de huevo.

No provocar el vómito.

Consultar un médico inmediatamente.

ELIMINACIÓN DE BATERÍAS

Ayude a proteger el medio ambiente.

Las baterías usadas no se deben tirar junto con la basura doméstica.

Se pueden entregar a un centro de recogida de baterías usadas o de eliminación de residuos especiales; infórmese en su Ayuntamiento.



PRIMERA CARGA DE LA BATERÍA

!• Quite la batería y el cargador del empaquetado. Conecte el cargador de la batería con un socket doméstico. Conecte el cargador de batería con la batería.

INSTRUCCIONES DE MONTAJE

⚠ PRECAUTION:

REQUIERE MONTAJE DE UN ADULTO.

ALGUNOS COMPONENTES AL SER ENSAMBLADOS PODRÍAN TENER PARTES PEQUEÑAS/RIESGO POR BORDES CONTANTES.

LA BATERÍA PODRÍA ESTAR INTRODUCIDA EN EL ARTÍCULO.

- 1 • Montar el guardabarros trasero introduciendo las 3 lengüetas en los orificios del chasis que indican las flechas.
- 2 • Girar el chasis. Encajar el guardabarros al chasis prestando especial atención a que se introduzca primero la lengüeta central (A).
 - Repetir las operaciones 1 y 2 para el guardabarros opuesto.
- 3 • Introducir la manija en el orificio del chasis (1) y girarla hacia abajo (2). ATENCIÓN: Las manijas se diferencian entre sí, por lo que deben colocarse con el lado plano girado hacia el sillín.
- 4 • Girar el chasis para poder acceder a su parte inferior y fijar la manija con el tornillo proporcionado.
 - Repetir las operaciones 3 y 4 para la manija opuesta.
- 5 • Colocar el cubo A en una de las dos ruedas con una sola llanta insertando los 4 pernos en los orificios.
- 6 • Introducir el eje de hierro largo en la rueda.
- 7 • Introducir una arandela en el eje.
- 8 • Introducir el eje con la rueda y la arandela en el orificio del chasis en el lado derecho tal y como se muestra en la figura.
- 9 • Colocar la otra arandela (B) en la rueda opuesta con una sola llanta.
- 10 • Introducir la rueda en el eje en el lado izquierdo del chasis prestando especial atención a que el cubo de la rueda quede correctamente introducido en la tuerca con forma de pentágono de la moto.
- 11 • Colocar el remache rojo en uno de los dos extremos del eje.
- 12 • Girar el chasis de manera que el remache quede posicionado en la parte inferior.
- 13 • Introducir una rosca en el remache negro.
- 14 • Colocar el remache en el extremo opuesto del eje tal y como se muestra en la figura y fijar con un martillo la rueda con la rosca.
 - Girar la moto hacia el otro lado y repetir la misma operación para fijar la rueda opuesta.
- 15 • Comparar los tubos del manillar para asegurarse del correcto montaje. El tubo izquierdo (SX) se diferencia del derecho (DX) por la presencia de orificios en su parte superior.
- 16 • Introducir el tubo DX en el lado derecho de la tapa de la horquilla tal y como se muestra en la figura.
- 17 • Fijarlo con el tornillo proporcionado.
 - Repetir las operaciones 16 y 17 con el tubo SX.
- 18 • Introducir el guardabarros delantero en los tubos del manillar orientándolo tal y como se muestra en la figura. NOTA: El guardabarros dispone de dos lengüetas que impiden su completo enganche si se introduce incorrectamente.
- 19 • Colocar las tapas en los tubos del manillar orientándolas tal y como se muestra en la figura A.
- 20 • Introducir la rueda entre los tubos acoplando todos los orificios. Introducir el eje de hierro corto.
- 21 • Colocar el remache rojo y girar el conjunto del manillar de manera que el remache quede posicionado en la parte inferior.
 - Introducir una rosca en el remache negro y fijar la rueda tal y como se muestra en la figura.
 - Girar el conjunto del manillar hacia el otro lado y repetir la operación para fijar la rueda opuesta.
- 22 • Introducir la tuerca proporcionada en el alojamiento ubicado debajo de la tapa de la horquilla.
- 23 • Unir el conjunto del manillar al chasis hasta encajar el perno debajo de la tapa de la horquilla (ver detalle en la foto sucesiva).
- 24 • El perno debe quedar encajado en la ranura curva tal y como se muestra en los detalles de la figura (A: visto desde arriba – B: visto desde abajo).
- 25 • Encajar la tapa del depósito introduciendo las 3 lengüetas en el chasis tal y como se muestra en la figura.
- 26 • Introducir el perno roscado.
- 27 • Atornillar el perno roscado para fijar el conjunto del manillar al chasis manteniendo con la otra mano la tuerca debajo de la tapa de la horquilla.
- 28 • Introducir el protector de maneta DX en el tubo del manillar DX y el protector de maneta SX en el tubo del manillar SX. La imagen describe el montaje del protector de maneta SX.
- 29 • Fijar los protectores de maneta con los tornillos proporcionados.
- 30 • Humedecer con agua y jabón el interior de las cubre manetas de goma para facilitar su inserción en los tubos del manillar. Introducir las cubre manetas indistintamente a la derecha o izquierda.
- 31 • Encajar completamente el faro presionando primero sobre la parte superior y, después, sobre la parte inferior.
- 32 • Introducir el parabrisas en la parte delantera de la caja de la horquilla.
- 33 • Encajar el parabrisas en la caja de la horquilla en los puntos que se muestran en la figura.
- 34 • Fijar el parabrisas con los dos tornillos proporcionados.
- 35 • Conectar las clavijas de la instalación eléctrica y de la batería.
- 36 • Colocar el sillín introduciendo la parte delantera en el chasis (1). Después, girarlo hacia abajo (2).
- 37 • Introducir completamente el perno de fijación en el orificio trasero del sillín.
- 38 • Girar el perno de fijación del sillín en la posición B para bloquearlo.

CARACTERÍSTICAS Y USO DEL VEHÍCULO

- 39 • El vehículo está listo para su uso. Presionar el pedal del acelerador con el pie teniendo ambas manos sobre el manillar.

SUSTITUCIÓN DE LA BATERÍA

⚠ ATENCIÓN:

LA OPERACIÓN DE RECARGA DE LA BATERÍA ASÍ COMO CUALQUIER INTERVENCIÓN ELÉCTRICA, DEBEN SER REALIZADAS ÚNICAMENTE POR PERSONAS ADULTAS.

LA BATERÍA TAMBIÉN SE PUEDE RECARGAR SIN QUITARLA DEL JUGUETE.

SÓLO PARA EL BRASIL: TENSIÓN DEL CARGADOR: 127V - 60 HZ. OBSERVACIÓN: NO UTILIZAR EL CARGADOR DE LA BATERÍA CON UNA TENSIÓN DE 220V.

- 40 • Girar el perno de fijación del sillín en la posición A para bloquearlo. Levantar el sillín.
- 41 • Desconectar las clavijas de la instalación eléctrica y de la batería.
- 42 • Destornillar los 3 tornillos del dispositivo de bloqueo de la batería. Extraer dicho dispositivo.
- 43 • Sustituir la batería que está descargada por una nueva que se haya cargado al menos durante 14 horas. NOTA: La batería de sustitución sólo se vende con una potencia eléctrica de 6V/8Ah, lo cual no compromete un funcionamiento del vehículo diferente.
- 44 • Volver a colocar el dispositivo de bloqueo de la batería fijándolo con los 3 tornillos. Volver a conectar las clavijas. Volver a colocar el sillín y girar el perno de fijación en la posición B.
 - ATENCIÓN: Una vez concluidas las operaciones llevadas a cabo dentro del alojamiento de la batería, acordarse de fijar siempre los componentes con tornillos y perno.

CARGA DE LA BATERÍA

- 45 • Desconectar la clavija A de la instalación eléctrica de la clavija B de la batería presionando en los laterales.
- 46 • Enchufar la clavija del cargador de la batería a una toma doméstica siguiendo las instrucciones que se adjuntan. Conectar la clavija B a la clavija C del cargador de la batería.
 - Una vez completada la carga, desenchufar el cargador de la batería de la toma doméstica y desconectar la clavija C de la clavija B.
- 47 • Encajar completamente la clavija B en la clavija A. Una vez concluida la operación, acordarse de cerrar siempre y fijar el sillín.

REGLAS PARA CONDUCIR EN CONDICIONES DE SEGURIDAD

DIVERTIMIENTO SIN INTERRUPCIÓN: Hay un set de baterías recargadas de repuesto puesto a disposición y listo para su uso.

Para la seguridad del niño: antes de accionar el vehículo, leer y seguir atentamente las siguientes instrucciones.

¡ATENCIÓN!

- Controlar que todos los remaches/las tuercas de fijación de las ruedas estén firmes.
- **MARCHA ADELANTE:**
Con ambas manos sobre el manillar, pisar el pedal del acelerador; el vehículo se pone en marcha a una velocidad reducida de aproximadamente 2,6mph.
- Enseñar a su niño el uso correcto del vehículo para una conducción segura y divertida.
- Antes de partir, comprobar que el recorrido esté libre de personas o cosas.
- Conducir con las manos sobre el volante/manubrio y mirar siempre el camino.
- Frenar a tiempo para evitar choques.

⚠ ¡ATENCIÓN!

- Si el vehículo funciona en condiciones de sobrecarga, por ejemplo sobre arena blanda, barro o terrenos muy accidentados, el interruptor de sobrecarga desconectará inmediatamente la potencia. Después de algunos segundos, se reanudará el suministro de corriente.

MANTENIMIENTO Y CUIDADOS DEL VEHICULO

Este producto cumple con y/o sobrepasa los ESTÁNDARES DE SEGURIDAD ASTM TOY, incluido el F 963, Especificaciones de seguridad en juguetes para consumidores.
SEste vehículo no ha sido fabricado para ser usado en la vía pública, con vehículos en movimiento o aparcados.

MANTENIMIENTO Y CUIDADOS

- Controlare periódicamente el estado del vehículo, en especial la instalación eléctrica, las conexiones de los enchufes, las caperuzas de protección y el cargador. En caso de defectos comprobados, el vehículo eléctrico y el cargador no deben utilizarse. Para las reparaciones utilizar sólo piezas de recambio originales PEG PEREGO.
- PEG PEREGO no se asume ninguna responsabilidad en caso de uso indebido de la instalación eléctrica.
- No dejare las baterías o el vehículo cerca de fuentes de calor como radiadores, caloríferos, chimeneas, etc.
- Proteger el vehículo contra el agua, lluvia, nieve, etc.;
- Si el vehículo funciona en condiciones de sobrecarga, por ejemplo sobre arena blanda, barro o terrenos muy accidentados, el interruptor de la sobrecarga desconectará inmediatamente la potencia. El suministro de corriente se reanudará una vez eliminadas las condiciones de sobrecarga.
- Lubricar periódicamente (con aceite ligero) las partes móviles como cojinetes, dirección, etc., donde girar o están en contacto entre ellas.
- Las superficies del coche deben limpiarse con un paño húmedo y, si es necesario, con productos adecuados de uso doméstico.
Las operaciones de limpieza deben ser realizadas únicamente por adultos.
- No desmontar nunca los mecanismos del vehículo o los motores, sin la autorización de PEG PEREGO.

SEGURIDAD

⚠ ¡ATENCIÓN!

- Para reducir el riesgo de heridas, la supervisión de un adulto es siempre necesaria. No usar nunca en carreteras, cerca de vehículos a motor, o en pendientes pronunciadas o cerca de escaleras, piscinas u otras superficies de agua; los niños deben usar siempre zapatos durante el uso del vehículo. El vehículo está construido para un solo niño: no deje que lo use más de un solo niño.
- Se puede usar sobre superficies lisas:asfalto, cemento,baldosas, y superar inclinaciones de hasta el 5%.
- No apto para niños menores de 24 meses por sus características funcionales y dimensiones.
- No usar el vehículo en vías públicas, donde hay tránsito y coches estacionados, en pendientes pronunciadas, cerca de escaleras, cursos de agua y piscinas.
- Los niños deben usar siempre zapatos durante el uso del vehículo.

- Se recomienda encarecidamente el uso de un casco certificado para bicicletas.
- Cuando el vehículo está funcionando, preste atención para que los niños no metan las manos, los pies u otras partes del cuerpo, cerca de las partes en movimiento.
- No mojar nunca los componentes eléctricos del vehículo como motores, cableado, botones, etc.
- No usar gasolina u otras sustancias inflamables cerca del vehículo.
- El vehículo está construido para un solo niño: no deje que lo use más de un solo niño.

¿PROBLEMAS?

¿EL VEHÍCULO NO FUNCIONA?

• **Si el vehículo funciona en condiciones de sobrecarga, por ejemplo sobre arena blanda, barro o terrenos muy accidentados, el interruptor de la sobrecarga desconectará inmediatamente la potencia. Después de unos 10 segundos se reanudará el suministro de corriente, pero deben eliminarse las condiciones de sobrecarga.**

- Controlar que todos los enchufes están correctamente conectados.
- Controlar los interruptores eléctricos y si fuera necesario sustituirlos.
- Controlar que la batería esté conectada a la instalación eléctrica.

¿EL VEHÍCULO NO TIENE POTENCIA?

• Cargar la baterías. Si después de cargarlas el problema persiste hacer controlar las baterías y el cargador de baterías en un centro de asistencia autorizado Peg Perego.

SERVICIO DE ASISTENCIA

Para su conviencia, PEG PEREGO ofrece un servicio de asistencia post-venta, directamente o a través de una red de centros de asistencia técnica autorizados, para eventuales reparaciones o substituciones y venta de recambios originales.

Si usted tiene cualesquiera preguntas sobre su vehículo de Peg Perego, llame por favor nuestras líneas de servicio gratis.

U.S.A , 1-800-225-1558

MEXICO, 1-800-710-1369

Los representantes técnico de cliente entrenados están disponibles para tomar su llamada en español o inglés.

PEG PEREGO® vous remercie de votre confiance et vous félicite d'avoir choisi ce produit. Depuis plus de 50 ans, PEG PEREGO emmène en promenade les enfants: à peine nés, avec ses fameux landaus et poussettes et plus tard, avec ses fantastiques véhicules à pédales et à batterie.

Découvrez sur notre site la gamme complète des produits, les nouveautés et d'autres renseignements sur le monde Peg Peregó. www.pegperegó.com

L'INFORMATION IMPORTANTE

- Lisez ce manuel d'instruction soigneusement pour apprendre l'utilisation du véhicule et pour enseigner votre enfant à piloter sûr et agréable. Veuillez garder ce manuel (avec votre réception initiale de ventes) pour l'usage comme référence à l'avenir.
- **NE RENVOYEZ PAS VOTRE VÉHICULE À LA MÉMOIRE. Ce produit ne peut pas être retourné pour un remboursement après qu'il ait été utilisé. Si vous avez des questions, avez besoin des pièces de recharge ou avez besoin d'aide, appelez-nous en service libre appel à 1-800-661-5050.**
- Ce produit réponde et/ou dépasse tous les CONDITIONS DE SECURITE ASTM TOY et il est conforme à la NORME DE SURETE F 963 pour les utilisateurs des jouets électriques et C.R.C, c.931, le Règlements Dangereux Canadiens de Produits (Jouets).
- Outils requis pour l'assemblage: tournevis de Phillips moyen et petit, marteau.
- Votre nouveau véhicule est partiellement prémonté. Il exige l'assemblage par un adulte. S'il vous plaît mis de côté au moins 45 minutes pour l'assemblage.
- Avant d'utiliser le véhicule pour la première fois, recharger les batteries pendant 18 heures. La non-observation des instructions dans cette brochure peut entraîner le risque des dommages irréversibles à la batterie.
- Utiliser seulement avec la batterie rechargeable Peg Peregó de 6 volts aux plombs sigillés et chargeurs Peg Peregó de 6 volts (tous les deux inclus).

• Ans 2+

• Poids transportable 44 lbs / 20 kg

- N'excédez pas toute la capacité maximum de poids de 44 livres (20Kg).

Table des matières:

- 1 Raider Police ou 1 Rider Princess véhicule des enfant -- partiellement réuni.
- 1 batterie rechargeable sigillée au plomb de 6V 3,3Ah -- dans l'emballage
- 1 chargeur de 6V
- 1 moteur de 60W -- préinstallé
- matériel de montage
- pièces à montage
- décalcomanies

- Vitesse: 2.6 mph/4,2 km/h

- Pour empêcher d'endommager le moteur et les vitesses, enseignez votre enfant à cesser la direction de commutation de before de véhicule.

- Peg Peregó pourra apporter à tout moment des modifications aux modèles décrits dans cette publication, pour des raisons de nature technique ou commerciale.

⚠ ATTENTION:

VÉHICULE ÉLECTRIQUE NON RECOMMANDÉ POUR LES ENFANTS DE MOINS DE 2 ANS. COMME POUR TOUS LES PRODUITS ÉLECTRIQUES, DES PRÉCAUTIONS DOIVENT ÊTRE PRISES PENDANT LE MANIEMENT ET L'UTILISATION POUR PRÉVENIR LES CHOCS ÉLECTRIQUES. CHARGEUR DE BATTERIE INCLU. 120 VOLT, 60HZ, 15W, 6 VOLT (c.a.) EN SORTIE.

⚠ PRECAUTION:

Les batteries ne doivent être rechargées que par ou sous la surveillance d'adultes.

Ne pas laisser les enfants jouer avec les batteries.

Utiliser uniquement le chargeur de batterie fourni et les batteries originales PEG PEREGO.

Ne pas utiliser simultanément des batteries neuves et usagées.

Ne pas utiliser simultanément des batteries alcalines standard (zinc-carbone) ou rechargeables (nickel-cadmium).

RECHARGEMENT DES BATTERIES

- Charger les batteries sans dépasser les 24 heures et en suivant les instructions jointes au chargeur de batterie.
- Recharger les batteries à temps, dès que le véhicule perd de la vitesse, pour éviter de les endommager.
- Si on laisse le véhicule arrêté pendant un long intervalle, se rappeler de recharger la batterie et de la laisser débranchée de l'installation; répéter l'opération de rechargement tous les trois mois au moins.
- La batterie ne doit pas être rechargée retournée.
- Ne pas oublier la batterie en rechargement! Contrôler périodiquement.
- Utiliser exclusivement le type de batteries et de chargeur spécifié par PEG PEREGO.
- Les batteries doivent être mises en place avec la polarité correcte.
- Les batteries sont scellées et n'exigent pas de maintenance.

⚠ ATTENTION:

- LES BATTERIES CONTIENNENT DES SUBSTANCES TOXIQUES ET CORROSIVES. NE PAS LES OUVRIR.
- Les batteries contiennent des électrolytes à base d'acide.
- Ne pas provoquer de contact direct entre les plots de la batterie: risque d'explosion et d'incendie.
- Pendant le rechargement, la batterie produit des gaz. Recharger la batterie dans un lieu bien aéré, loin de toute source de chaleur et de matériaux inflammables.
- Les batteries déchargées doivent être enlevées du véhicule.
- Éviter que les batteries entrent en contact avec les vêtements: ceux-ci pourraient s'abîmer.

EN CAS DE FUITE

Se protéger les yeux. Éviter tout contact direct avec le électrolyte et se protéger les mains. Mettre la batterie dans un sac en plastique et suivre les instructions sur l'élimination des batteries.

SI LA PEAU OU LES YEUX ENTRENT EN CONTACT AVEC L'ELECTROLYTE

Laver abondamment les parties concernées à l'eau courante (pendant 15 minutes au moins).

Consulter immédiatement un médecin.

EN CAS D'INGESTION DE ELECTROLYTE

Boire à petites gorgées de l'eau, du lait de magnésie ou de l'albumen d'œuf.

Ne pas provoquer de vomissement.

Consulter immédiatement un médecin.

ELIMINATION DES BATTERIES

Contribuons à la sauvegarde de l'environnement.

Les batteries usées ne doivent pas être jetées dans les ordures ménagères.

On peut les déposer dans un centre de récupération de batteries usées ou d'élimination de déchets spéciaux; s'informer à la mairie.



PREMIERE CHARGE DE BATTERIE

- ! Retirez la batterie et le chargeur de l'emballage. Reliez le chargeur de batterie à un plot domestique. Reliez le chargeur de batterie à la batterie.

INSTRUCTION DE MONTAGE

ATTENTION:

ASSEMBLAGE PAR UN ADULTE REQUIUS.

ASSEMBLER PEUVENT COMPORTER UN DANGER DE PETITES PIÈCES OU DE BORDS TRANCHANTS. IL SE POURRAIT QUE LA BATTERIE SOIT DÉJÀ MONTÉE SUR LE VÉHICULE.

- 1 • Mettre le pare-boue arrière en place en insérant les 3 languettes dans les trous de la coque indiqués par les flèches.
- 2 • Renverser la coque. Faire pression sur le pare-boue pour le fixer à la coque en veillant à insérer en premier la languette centrale (A).
 - Répéter les opérations 1-2 pour l'autre pare-boue.
- 3 • Insérer la poignée dans le trou de la coque (1) et la faire pivoter vers le bas (2). ATTENTION : les poignées sont différentes l'une de l'autre, les positionner avec le côté plat tourné vers la selle.
- 4 • Faire basculer la coque pour travailler sur la partie inférieure puis procéder à la fixation de la poignée à l'aide de la vis fournie.
 - Répéter les opérations 3-4 pour l'autre poignée.
- 5 • Positionner la douille A sur une des deux roues avec un seul cache en faisant coïncider les 4 ergots avec les trous.
- 6 • Insérer l'essieu en fer le plus long dans la roue.
- 7 • Insérer une rondelle sur l'essieu.
- 8 • Insérer l'essieu doté d'une roue et d'une rondelle dans le trou sur le côté droit de la coque, comme indiqué sur la figure.
- 9 • Mettre la douille restante (B) en place sur l'autre roue avec un seul cache.
- 10 • Insérer la roue sur l'essieu du côté gauche de la coque en veillant à encastrer correctement la douille de la roue dans le pentagone du moteur.
- 11 • Mettre le rond central rouge en place sur une des deux extrémités de l'essieu.
- 12 • Retourner la coque en maintenant en place le rond central dans la partie inférieure.
- 13 • Monter le bouchon noir sur la douille.
- 14 • La positionner sur l'autre extrémité de l'essieu, comme indiqué sur la figure, et, à l'aide d'un marteau, fixer la roue avec la douille.
 - Faire basculer la moto sur l'autre côté et répéter l'opération pour fixer l'autre roue.
- 15 • Comparer les tubes du guidon pour un montage correct. Le tube gauche se distingue du droit par la présence de deux trous sur sa partie supérieure.
- 16 • Insérer le tube droit sur le côté droit de la calandre, comme indiqué sur la figure.
- 17 • Le fixer à l'aide des vis fournies.
 - Répéter les opérations 16-17 avec le tube gauche.
- 18 • Insérer le pare-boue avant dans les tubes du guidon en l'orientant comme indiqué sur la figure. REMARQUE : le pare-boue est doté de deux languettes qui empêchent sa fixation complète au cas où il serait inséré de manière incorrecte.
- 19 • Insérer les bouchons sur les tubes du guidon en les orientant comme indiqué sur la figure A.
- 20 • Insérer la roue entre les tubes en alignant tous les trous. Insérer l'essieu en fer le plus court.
- 21 • Positionner le rond central rouge et faire tourner l'ensemble du guidon en maintenant le rond central en place dans la partie inférieure.
 - Monter le bouchon noir sur une douille et fixer la roue comme indiqué sur la figure.
 - Tourner l'ensemble du guidon du côté opposé et répéter l'opération pour fixer la roue également de l'autre côté.
- 22 • Insérer l'écrou fourni dans l'emplacement sous la calandre.
- 23 • Unir l'ensemble du guidon à la coque en veillant à ce que le pivot s'encastre dans la partie inférieure de la calandre (voir détail sur la photo suivante).
- 24 • Le pivot doit s'encastrer dans la rainure courbe, comme l'indiquent les détails de la figure (A : vue d'en haut - B : vue d'en dessous).
- 25 • Accrocher la calotte de réservoir en insérant les 3 languettes dans la coque, comme indiqué sur la figure.
- 26 • Insérer le pivot fileté.
- 27 • Visser le pivot fileté pour fixer l'ensemble du guidon à la coque en bloquant de la main libre l'écrou situé sous la calandre.
- 28 • Insérer le pare-main droit sur le tube droit du guidon et le pare-main gauche sur le tube gauche. La figure montre le montage du pare-main gauche.
- 29 • Fixer les pare-mains avec les vis fournies.
- 30 • Humidifier avec de l'eau et du savon l'intérieur des poignées en caoutchouc pour faciliter leur insertion sur les tubes du guidon. Insérer les poignées en caoutchouc indépendamment du côté gauche ou droit.
- 31 • Encastrer le phare en appuyant sur sa partie supérieure puis sur sa partie inférieure.
- 32 • Insérer le pare-brise dans la partie avant de la calandre.
- 33 • Faire pression sur le pare-brise au niveau des points de la calandre indiqués sur la figure.
- 34 • Fixer le pare-brise à l'aide des deux vis fournies.
- 35 • Brancher les fiches de l'installation électrique et de la batterie.
- 36 • Positionner la selle en insérant la partie avant dans la coque (1), puis la faire basculer vers le bas (2).
- 37 • Insérer complètement l'ergot de fixation dans le trou à l'arrière de la selle.
- 38 • Faire pivoter l'ergot de fixation sur la position B pour bloquer la selle.

CARACTERISTIQUES ET MODE D'EMPLOI DU VÉHICULE

- 39 • Le véhicule est prêt à l'emploi. Avec les deux mains sur le guidon, appuyer du pied sur la pédale d'accélérateur.

REPLACEMENT DE LA BATTERIE

ATTENTION:

ATTENTION: LE CHARGEMENT DE LA BATTERIE ET TOUTE INTERVENTION SUR LE CIRCUIT ÉLECTRIQUE DOIVENT ÊTRE EFFECTUÉS EXCLUSIVEMENT PAR UN ADULTE. LA BATTERIE PEUT ÊTRE RECHARGÉE SANS DEVOIR LA RETIRER DU JOUET.

- 40 • Faire pivoter l'ergot de fixation de la selle sur la position A pour la débloquent. Soulever la selle.
- 41 • Débrancher les fiches de l'installation électrique et de la batterie.
- 42 • Dévisser la vis de la barrette de fermeture de la batterie. Retirer la barrette de fermeture de la batterie.
- 43 • Remplacer la batterie déchargée par une nouvelle batterie chargée au préalable pendant 14 heures au moins. REMARQUE : la batterie de remplacement vendue possède une puissance de 6V/8A. Le fonctionnement du véhicule n'est pas modifié pour autant.
- 44 • Remettre la barrette de fermeture de la batterie en place en la fixant avec les vis. Rebrancher les fiches. Repositionner la selle et mettre l'ergot de fixation sur la position B.
 - ATTENTION : une fois les opérations à l'intérieur du compartiment de la batterie achevées, se rappeler de toujours fixer les composants avec les vis et l'ergot.

MISE EN CHARGE DE LA BATTERIE

- 45 • Débrancher la fiche A (installation électrique) de la fiche B (batterie) en appuyant sur les côtés.
- 46 • Brancher la fiche du chargeur de batterie à une prise de courant en suivant les instructions jointes. Brancher la fiche B à la fiche C du chargeur de batteries.
 - Une fois la batterie chargée, débrancher le chargeur de la prise de courant puis les fiches C et B.
- 47 • Insérer la fiche B dans la fiche A jusqu'au déclic. Une fois ces opérations terminées, toujours se rappeler de fermer et bloquer la selle.

REGLES POUR UNE CONDUITE EN TOUTE SECURITE

DIVERTISSEMENT SANS INTERRUPTION: prévoir une batterie de rechange chargée et prête à l'emploi.

Pour la sécurité de l'enfant: avant de mettre en marche le jouet, lire et suivre attentivement les instructions suivantes:

• **ATTENTION!**

Contrôler que toutes les plaques/écrous de fixation des roues sont bien serrés.

• **MISE EN ROUTE:**

Les deux mains sur le guidon, appuyer sur la pédale d'accélérateur; le véhicule se met en marche à une vitesse d'environ 4 Km/h.

• **FREIN:**

Le système électrique de freinage bloque automatiquement le véhicule quand on lève le pied de la pédale d'accélérateur.

Enseigner à l'enfant à utiliser le véhicule correctement pour conduire en sécurité tout en s'amusant.

• Avant de partir, s'assurer que le parcours est libre de personnes ou de choses.

• Conduire avec les mains sur le guidon et toujours regarder la route.

• Freiner à temps pour éviter les accrochages.

⚠ ATTENTION:

• Si le jouet est utilisé dans des conditions entraînant une surcharge, l'interrupteur de surcharge réduira automatiquement la puissance. La puissance sera rétablie quelques secondes plus tard.

ENTRETIEN ET SECURITE DU JOUET

Ce produit répond et/ou dépasse tous les **CONDITIONS DE SECURITE ASTM TOY** et il est conforme à la **NORME DE SURETE F 963** pour les utilisateurs des jouets électriques. Ce véhicule n'est pas conforme aux dispositions des normes de circulation routière et ne peut par conséquent pas circuler sur la voie publique.

SECURITE, MAINTENANCE ET ENTRETIEN

- Contrôler régulièrement l'état du jouet, en particulier l'installation électrique, le branchement des fiches, les capots de protection et le chargeur de batterie. Si l'on trouve des défauts, le jouet électrique et le chargeur de batterie ne doivent pas être utilisés. Pour les réparations, n'utiliser que des pièces de rechange d'origine PEG PEREGO.
- PEG PEREGO décline toute responsabilité en cas de mauvaise utilisation de l'installation électrique.
- Ne pas laisser les batteries ou le jouet à proximité de sources de chaleur comme des radiateurs, des cheminées, etc.
- Protéger le jouet de l'eau, de la pluie, de la neige, etc.
- Si le véhicule fonctionne en conditions de surcharge, l'interrupteur de surcharge coupe immédiatement le courant. La distribution de courant reprend de 10 secondes environ, mais il faut éliminer les conditions de surcharge pour assurer la conduite normale.
- Lubrifier périodiquement (avec une huile légère) les parties mobiles comme roulements à billes, direction, etc., surtout là où ils tournent ou entrent en contact.
- Les surfaces du jouet peuvent être nettoyées avec un chiffon humide. Ne jamais utiliser des détergents abrasifs. Les opérations de nettoyage doivent être effectuées exclusivement par des adultes.
- Ne jamais démonter les mécanismes du jouet ou les moteurs, sauf autorisation de PEG PEREGO.

SECURITE

⚠ ATTENTION:

- Pour éviter tout risque d'accident, la supervision d'un adulte est toujours requise. Ne pas utiliser le véhicule sur les voies publiques, là où il y a des voitures, sur les pentes raides, près de gradins, d'escaliers, de cours d'eau et de piscines; les enfants doivent toujours porter des chaussures quand ils utilisent le véhicule. Le véhicule est assemblé pour deux enfants. • Pour voyager sur surface lisse et terrains accidentés: goudron, ciment, carreaux et sur les montées jusqu'à 5%.
- Ce produit n'est pas destiné aux enfants de moins de 2 ans. La présence de petites pièces est dangereuse par ce qu'elles pourraient être avalées ou inhalées.
- Ne pas utiliser le véhicule sur les pentes raides ou près de gradins et d'escaliers. Le véhicule n'est pas conçu pour l'utilisation sur les voies publiques.
- Les enfants doivent toujours porter des chaussures quand ils utilisent le véhicule.
- L'usage d'un casque de bicyclette certifié est fortement recommandé.
- Quand le véhicule fonctionne, faire attention à ce que les enfants ne mettent pas les mains, les pieds ou d'autres parties du corps, des vêtements ou d'autres choses près des parties en mouvement.
- Ne jamais mouiller les composants du véhicule comme les moteurs, les installations, les touches, etc.
- Ne jamais utiliser d'essence ou d'autres substances inflammables près du véhicule.
- Le véhicule est assemblé seulement pour un enfant.

PROBLEMES?

LE VEHICULE NE MARCHE PAS?

- **Si le véhicule fonctionne en conditions de surcharge, comme sur le sable mou, la boue ou les terrains très accidentés, l'interrupteur de surcharge coupe immédiatement le courant. La distribution de courant reprend au bout de 10 secondes environ, mais il faut éliminer les conditions de surcharge pour assurer la conduite normale.**
- Vérifier qu'il n'y a pas de câbles débranchés sous le bouton de mise en route.
- Contrôler le fonctionnement de le bouton de mise in route et le remplacer éventuellement.
- Contrôler si la batterie est branchée à l'installation électrique.

LE VÉHICULE MANQUE DE PUISSANCE?

- Recharger la batterie. Si après l'avoir rechargée le problème persiste, faire contrôler la batterie et le chargeur de batterie par un centre d'assistance autorisé PEG PEREGO.

SERVICE D'ASSISTANCE

Pour votre convience, PEG PEREGO offre un service d'assistance après-vente, directement ou à travers un réseau de centres d'assistance autorisés pour les éventuelles réparations ou pour le remplacement et la vente de pièces de recharge d'origine.

Si vous avez n'importe quelles questions au sujet de votre véhicule de Peg Perego, veuillez appeler nos tuyaux de service en service libre appel à 1-800-661-5050 entre 8 AM et 6:30 PM Lundi par Vendredi. Les représentants qualifiés de service à la clientèle sont disponibles pour prendre votre appel.

STOP!

Do not return your vehicle to the store!

We're a toll-free phone call away and we can help.
If you are missing parts or need assistance, please see the contact information below.

¡ALTO!

¡No vuelva su vehículo al almacén!

Somos una llamada telefónica gratis lejos y podemos ayudar.
Si usted es piezas que falta o necesita ayuda, vea por favor la información del contacto abajo.

ARRÊTEZ!

Ne renvoyez pas votre véhicule à la mémoire !

Nous sommes un appel téléphonique en service libre appel loin et nous pouvons aider.
Si vous êtes les pièces manquantes ou avez besoin d'aide, voir s'il vous plaît l'information de contact ci-dessous.

Model Number IGOD0511

PEG PEREGO U.S.A Inc.

3625 INDEPENDENCE Dr. FORT WAYNE IN 46808
fax 260-484-2940

call us toll free 1-800-728-2108

llame USA gratis 1-800-225-1558

llame Mexico gratis 1-800-710-1369

PEG PEREGO CANADA Inc.

585 GRANITE COURT PICKERING ONT. CANADA L1W3K1
fax 905-839-9542

call us toll free 1-800-661-5050

PEG PEREGO S.p.A.

via DE GASPERI 50 20043 ARCORE (MI) ITALIA



www.pegperego.com