

# PegPerego

**USA**

Instructions for use EN

FIUS2201I264

## PRIMO VIAGGIO

# Convertible Kinetic



### **WARNING:**

Do not install or use this child restraint until you read and understand all instructions in this manual. To avoid serious injuries to your child, follow the instructions carefully and be sure to buckle your child using the 5-point harness.

**Weight limits in rear-facing mode with vehicle belt:**

5-45 lbs (2.3 - 20.4 kg)

**Weight limits in rear-facing mode with LATCH:**

5-40 lbs (2.3 - 18.2 kg)

maximum height:  
47 inches (119 cm)

**Weight limits in forward-facing mode with vehicle belt:**

22-65 lbs (10 - 29.5 kg)

**Weight limits in forward-facing mode with LATCH:**

22-45 lbs (10 - 20.4 kg)

maximum height:  
49 inches (125 cm)

## Table of Contents

Introduction	page 4
<b>⚠ Warning</b>	page 5
Safety features	page 8
Registration form	page 10
Your child restraint	page 12
Installing your child restraint in a vehicle:	
• Latch System	page 14
• Vehicle Seatbelt	page 15
• Non compatible vehicle belt designs	page 23
• Top Tether	page 24
• Weight and dimension range	page 27
Installing your child restraint in a vehicle - Rear Facing mode:	
• Proper levelling of child restraint in rear facing mode	page 28
• Anti Rebound Bar (ARB)	page 29
• ARB Spacer	page 30
• REAR FACING mode using Latch System	page 31
• REAR FACING mode using lap/shoulder belt (Type II)	page 33
• Use of a locking clip	page 35
• REAR FACING mode using lap belt (Type I)	page 36

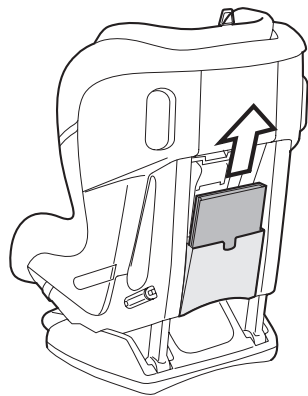
## Table of Contents

Installing your child restraint in a vehicle - Forward Facing mode:	
• FORWARD FACING mode using Latch System	page 39
• FORWARD FACING mode using lap/shoulder belt (Type II)	page 41
• FORWARD FACING mode using lap belt (Type I)	page 43
• Using the Tether in Forward Facing mode	page 45
Installing your child restraint in an aircraft	page 46
Securing your child into the child restraint	page 48
• Harness use and adjustment	page 48
• Tri-Stage Cushion	page 51
• The cup holder	page 53
Cleaning and maintenance	page 54
How to tell if the seat has been in a crash	page 59
Replacement Parts	page 62

## Introduction

Thank you for choosing a Peg Perego Primo Viaggio Convertible Kinetic. As with any other PegPerego product, your child restraint has been designed and certified by a dedicated team of engineers inside Peg Perego Research and Development Department. It has been manufactured and assembled in a Peg Perego plant under certified quality procedures and using high quality materials from certified suppliers. As with every child restraint, Primo Viaggio Convertible Kinetic is used with a child inside a vehicle, travelling fast on highways or slow in the chaotic traffic of today's cities. This means that you need to use this car seat as a concerned parent, driving carefully when you have a child on board but also, before this, taking your time to explore the child restraint, knowing all the features it has, the different possible uses, the proper and best installations. Go through this manual entirely, keeping your new child restraint in sight, checking every point and understanding it. Install the child restraint in your vehicle taking the necessary time and making fitting trials before using it with your child. Once you have read the manual, store it again in its proper pocket. This will ensure that everybody looking after your child and using this seat will be able to look for help in this manual.

Should you see any malfunctioning feature, after taking the necessary familiarization or if you see broken parts, do not hesitate to call Peg Perego Customer Service @ 1-800-671-1701 for help. Now that you know your new Primo Viaggio Convertible Kinetic, you are ready to enjoy safe and happy journeys with your family and your children.



## Warning

- Do not install or use this child restraint until you read and understand all the instructions in this manual and the labels on the product. To avoid serious injuries to your child, follow the instructions carefully. Keep the instruction manual in the dedicated pocket for future reference.

- This child restraint meets or exceeds all applicable Federal Motor Vehicle Safety Standard 213 requirements for use in motor vehicles and aircraft.

- When using this child restraint in rear facing mode, never place it in vehicle seats equipped with an active air bag. Death or serious injuries can occur if an air bag hits the unit. Check your vehicle owner's manual for child restraint and vehicle seat compatibility.

- This child restraint is designed to be used in passengers vehicles. It is not designed for use on three-wheel vehicles or motor bikes.

- According to accident statistics, children are safer when properly restrained in the rear seating positions.

- Complete and send in the registration form provided with this product right away. In case of an accident: if this car seat is involved in a car accident, it may be no longer safe

for use. You may need to get a new unit. Call customer service @ 1-800-671-1701 for help.

- Do not use this unit after ten (10) years from the date of production labelled on the seat.

- This child restraint is designed to be installed on front facing vehicle seats only. Never use on seats looking sideways or rearward facing.

- This child restraint can be secured to your vehicle by means of lap or lap/shoulder belts available in your vehicle. However, not all available models of seat belts are approved for use with this product. Refer to the dedicated section in this manual for further details.

- This child restraint can be secured to your vehicle by means of lower universal anchorage system (LATCH) in conjunction with a top tether, both provided with this product. Refer to the dedicated section in this manual for installation details and check your vehicle owner's manual for further details.

- Do not use in cars with door-mounted or motorized shoulder belts. Read your vehicle owner's manual for additional information.

- When the child restraint is installed on the vehicle seat, check that vehicle belts or LATCH and top tether straps are snugly fitted

## Warning

around the child restraint structure and that there is no slack. An incorrectly fastened child restraint may result in an additional excursion or deceleration on your child in case of an accident.

- Use this child restraint in rear facing mode with vehicle belt with children weighing 5 – 45 lbs (2.3 – 20.4 kg) and with latch with children weighing 5-40 lbs (2.3-18.2 kg) and having a maximum height of 47 inches (119 cm); in forward facing mode with vehicle belt with children weighing in the range 22 – 65 lbs (10 – 29.5 kg) and with latch with children weighing 22-45 lbs (10-20.4 kg) and having a maximum height of 49 inches (125 cm).

**WARNING:** Do not use the lower anchors of the child restraint anchorage system (LATCH system) to attach this child restraint when restraining a child weighing more than 40 pounds (18.2 kg) with the internal harnesses of the child restraint in rear facing mode or more than 45 pounds (20.4 kg) in forward facing mode.

- Use only with children who weigh between 5 and 65 lbs (2.3 and 29.5 kg).
- Keep your child in rearward facing mode as

long as possible: NEVER use Primo Viaggio Convertible Kinetic in forward facing mode if baby weighs less than 22 lbs (10 kg).

- According to the American Academy of Pediatrics (AAP) parents should keep their children in rear facing child restraints until the age of two (2) or until they reach the maximum weight or height for which the restraint is designed.

- Always restrain your child with the 5-point integral harness provided with the product. Be sure that the buckle is correctly latched. Snugly adjust the belt around the child's body making sure that the belt lies flat with no slack. Use the chest clip to be sure that the belts are in the correct position.

- Be sure the child restraint is properly levelled. If the seat reclines too much, your child can be injured or ejected from the seat. If the seat is too upright, it can cause your child to have breathing problems, which could lead to injury or death.

- Do not leave your child unattended in the car, even for a short period. The temperature inside a vehicle may rise or drop very rapidly with dangerous consequences on the occupant inside.

## Warning

- Do not leave your child unattended in the car, even for a short period. He/she could get tangled in the straps and be seriously injured or could move or tip the child restraint.
- Bulky jackets should be removed and placed on backwards over the child after the harness is fitted.
- Secure this child restraint in the car even when not occupied. This child restraint is a heavy object that could cause severe damage to other occupants in case of an accident.
- Do not leave loose objects, bags or luggage in the vehicle interior. In case of an accident they could suddenly move causing the occupants to be injured.
- Keep fingers away from moving parts.
- Do not lift this child restraint by harnesses to avoid unnecessary wear or stress on the webbing. Lift it by the hard structure.
- Do not place this child restraint on countertops, tables or soft surfaces.
- Seat covers and pads provided with this product are part of the product and the certification program. The use of non approved covers or other accessories is not recommended.
- EPS and EPP components are integrated in the product as safety related parts and should never be removed or severely damaged.
- Do not try to remove or add parts unless where explained in this manual; do not try to repair this product. In case of damage or defective components, call customer service @ 1-800-671-1701 for help.
- Do not leave the child restraint under direct sunlight for a prolonged time. The seat may become very hot and burn your child's skin.
- When not in use, store the product, away from light, moisture, excessive heat or cold.

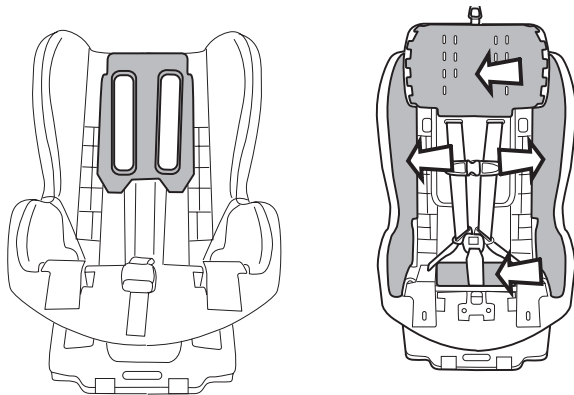
## Safety features

Primo Viaggio Convertible Kinetic is equipped with safety features specifically designed to protect your child in the event of a crash. In case of a severe crash, there are parts of your seat designed to bend or deform. These parts will absorb the crash energy so it is not transferred to your child. Please refer to section "How to tell if your seat has been in a crash" on page 59, for additional information.

**EPS:** the shell is covered with low density Expanded Polystyrene which absorbs energy and reduces crash forces, providing thermal insulation and extra comfort when used for long periods of time.

**EPP:** the head panel is covered with low density Expanded Polypropylene which absorbs energy and reduce crash forces, providing thermal insulation and extra comfort when used for long periods of time.

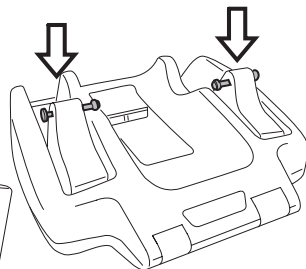
**STEEL PLATE:** the back of the seat is reinforced with a steel plate that supports the spine, neck and head under the high loads supports developed in a crash.



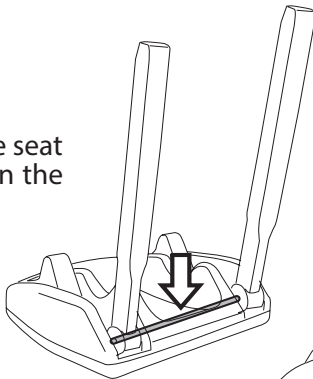


## Safety features

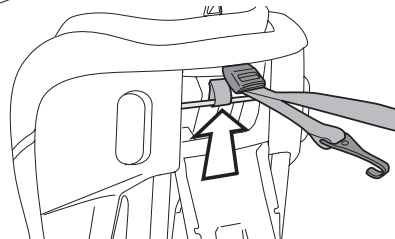
**PIVOT PINS:** the base of the seat is hinged on steel pins that travel into plastic walls during a crash.



**REAR ROD:** a steel rod in the back of the seat takes compression loads in a crash when the product is used in rearfacing mode.



**TETHER BAR:** the tether strap that is located on the top of the seat is attached to a bar that bends during a crash.



## Registration form

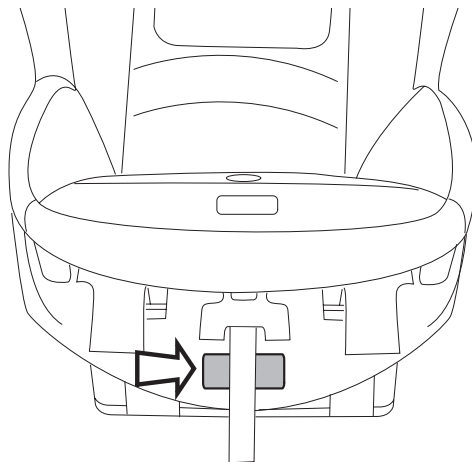
**Important!** Child restraints could be recalled for safety reasons. You must register this restraint to be reached in a recall. Send your name, address and the restraint's model number and manufacturing date to:

Peg Perego U.S.A., Inc.  
3625 Independence Drive  
Fort Wayne, IN 46808  
Or call 1-800-671-1701 (toll free)  
Or register online at  
[www.carseat-registration.pegperego.com](http://www.carseat-registration.pegperego.com)

For recall information, call the U.S. Government's Vehicle Safety Hotline at 1-888-327-4236 (TTY: 1-800-424-9153)  
Or go to <http://www.NHTSA.gov>

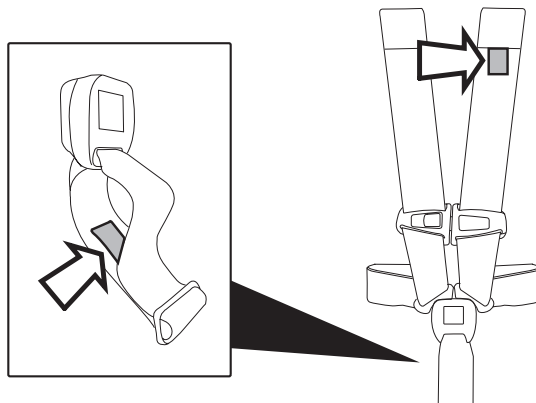
The registration form is attached to the product cover. Detach the form, fill in and mail to PegPerego. No stamp is needed. We have already paid for it. Should the registration form be missing, please call Customer Service @ 1-800-671-1701 for a replacement form.

Model number, model name, date of manufacturing, etc. are indelibly printed on a label located in the picture shown here.

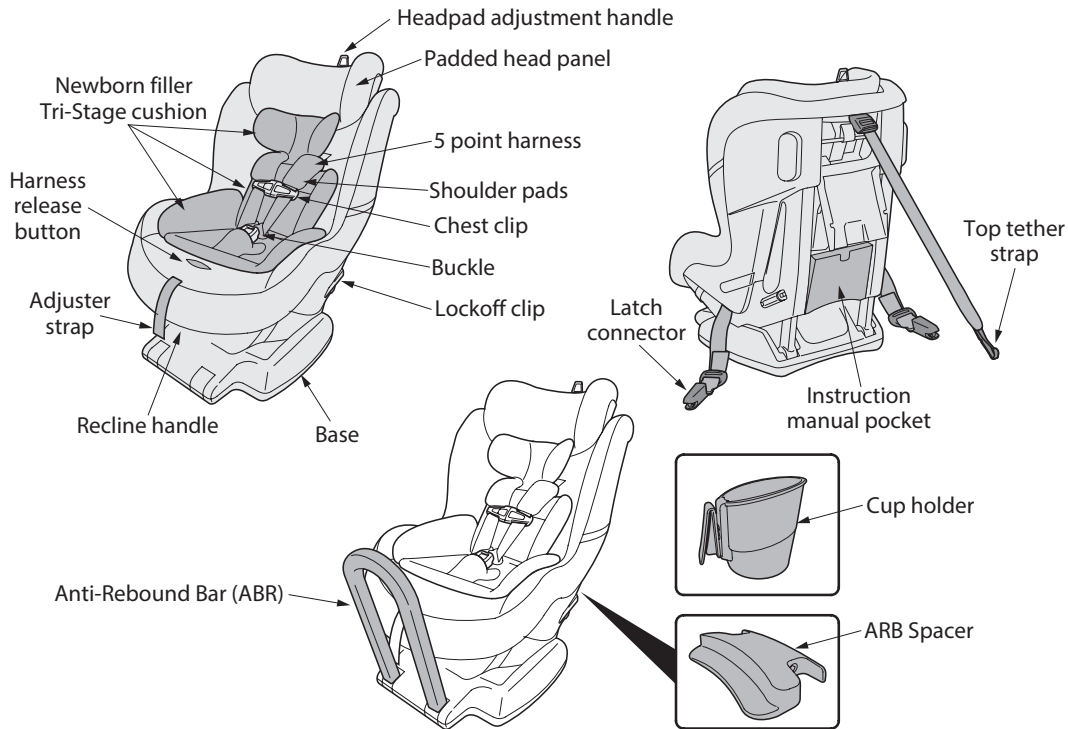


## Registration form

Harness serial number is also indelibly printed on the buckle and the webbing and could provide useful information in case of accident or defects. See picture below for location explanation.



## Your child restraint



## Installing your child restraint in the vehicle

Primo Viaggio Convertible Kinetic is designed to be installed in a vehicle in Rear Facing mode (RF) or in Forward Facing mode (FF) on a forward facing vehicle seat.

It can be installed using:

- 1) Latch System
- 2) Vehicle Seatbelts
- 3) Additionally your seat is equipped with a Top Tether to be attached to a suitable Top Tether anchorage point and an anti-rebound bar. Peg-Perego always recommends use of a Top Tether and ARB to increase safety and stability of the child seat. Details are described in the following pages. Peg-Perego recommends that caregivers have their car seat installation checked by a certified child passenger safety technician. These technicians are trained for this specific purpose and are available in your area. To locate a technician go to the website at <http://www.nhtsa.gov/cps/cpsfitting/index.cfm>



## Installing your child restraint in the vehicle

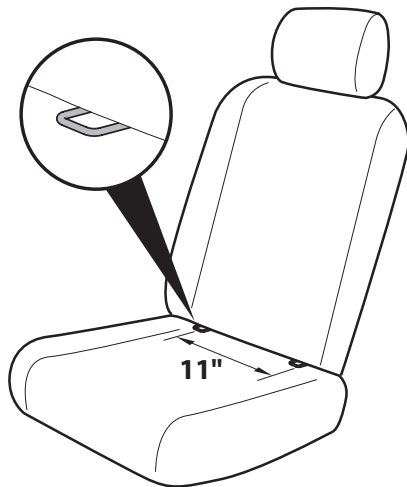
**LATCH SYSTEM:** Primo Viaggio Convertible Kinetic is equipped with latch connectors. They are located at each side of the child seat that attach to anchors located at the junction of the seat and backrest in your vehicle. There are two anchors for each seating position and they are spaced by about 11" (28 cm).

They may be visible or slightly recessed into the vehicle upholstery and can be protected by plastic or fabric shields. The LATCH anchor can be located by this symbol:



Check your Vehicle Owner's Manual to find the LATCH anchor locations in your vehicle.

**Important!** The maximum weight limit for latch is 40 pounds when Primo Viaggio Convertible Kinetic is used rear facing and 45 pounds when used forward facing.



## Installing your child restraint in the vehicle

**VEHICLE SEATBELTS:** this child seat is designed to be installed with vehicle belts. There are many different vehicle belt designs. Unfortunately, some may be unsuitable for a safe installation of Primo Viaggio Convertible Kinetic. Please read carefully the pages below.

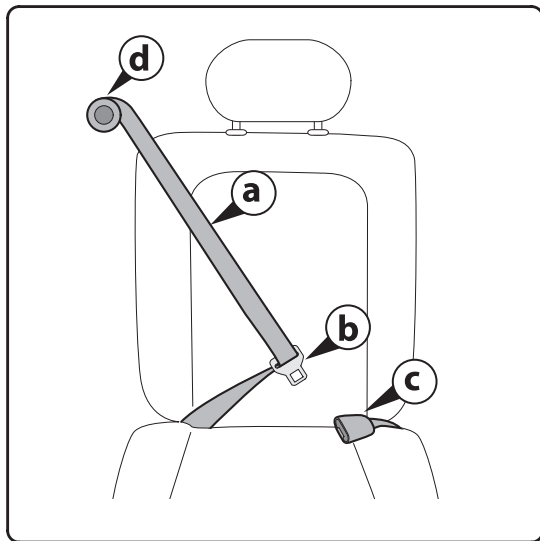
Check your vehicle owner's manual or call Peg Perego Customer Service @ 1-800-671-1701 for additional help.

The most common vehicle belt is composed of a web strap (a), a latch plate (b), a buckle (c) and a retractor (d). A retractor is a spring loaded device that rolls the seatbelt automatically when not in use.

Common retractors are:

**Emergency Locking Retractor (ELR)** allows the occupant to have free movement while buckled up, but in an emergency situation or crash the retractor instantly locks securing the occupant.

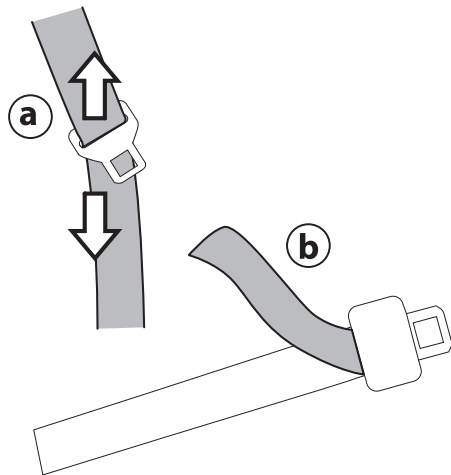
**Switchable Locking Retractor (ELR → ALR)** Switches from Emergency Locking Retractor (ELR) to an Automatic Locking Retractor (ALR). This allows the user to lock the retractor at a set position (also called child restraint mode)



## Installing your child restraint in the vehicle

used for **securing child seats**. ALR mode is activated by extending the retractor all the way out until a "click" is heard, next let the seat belt (webbing) retract into the retractor to the desired length and stop the belt at that point. The retractor locks and will not let the belt lengthen at that point (only retract). To cancel ALR mode and return the retractor to the ELR mode, just let the retractor retract the webbing all the way back into the retractor.

A latch plate can be a sliding latch plate (a) or a locking latch plate (b). A sliding latch plate is available on lap/shoulder belt only and moves freely along the strap. A Locking latch plate has a mechanism to lock the movement of the plate on the strap.





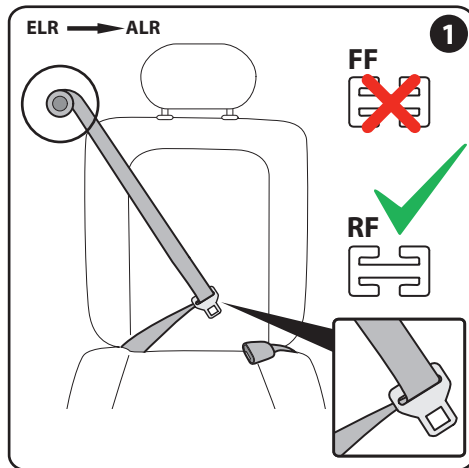
## Installing your child restraint in the vehicle

**Lap/shoulder belt (3-point) with Switchable Locking Retractor (ELR → ALR) and free sliding latch plate.** This type of seat belt has a latch plate that moves freely along the belt. To activate the ALR mode, pull the belt all the way out. Some vehicles may require another activation method (check vehicle owner's manual for details). Once activated, the belt will not extend unless allowed to retract all the way.

Rear facing installation can be done using the ALR or a locking clip. In some vehicles, the shoulder strap can tend to tilt the seat sideways when tightened. In this case, a locking clip may provide a better installation. The use of a locking clip is explained on page 35. Forward facing installation should be done with the ALR and the lock off clips located on the sides of the seat.

Mode detailed installation instructions begin on page 28.

**Important Note:** The lock off clips located on the side of the Convertible seat are used to enhance the stability during normal use. The lock offs are not designed to replace an automatic locking retractor or a locking latch plate. The vehicle belt must be properly tightened to secure the Convertible seat to the vehicle.

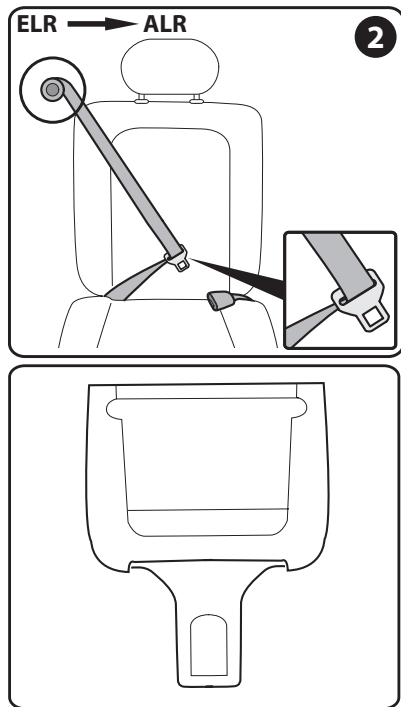


## Installing your child restraint in the vehicle

**Lap/shoulder belt (3-point) with Emergency Locking Retractor (ELR) and with a locking latch plate.** This type of belt can be adjusted by pulling/releasing the strap at the latch plate adjuster. Please refer to your vehicle owner's manual for details.

**Note:** Some locking latch plates need to have the web positioned at the correct angle for proper locking. Make sure the latch plate properly locks when installing the car seat with a locking latch plate.

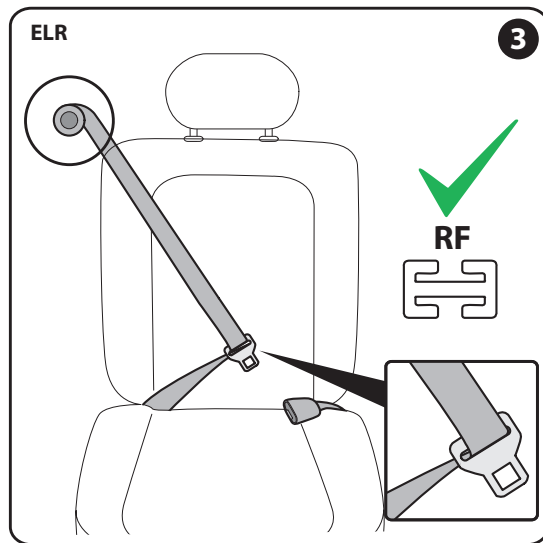
**Note:** some vehicles are equipped with switchable latch plate that can switch from a sliding type to a locking type. In this specific case, make sure that the latch plate is in a locking mode.



## Installing your child restraint in the vehicle

**Lap/shoulder belt (3-point) with Emergency Locking Retractor (ELR) and free sliding latch plate.** This type of seat belt has a latch plate that moves freely along the belt; it will only lock in an emergency (sudden stop or crash) so you must use a Locking Clip to secure this type of belt. Refer to page 33 for the proper use of a locking clip. If additional help is needed, consult with a Child Passenger Safety Technician (CPST). To locate a technician go to the website at <http://www.nhtsa.gov/cps/cpsfitting/index.cfm>

**Important note:** The lock off clips located on the side of the Convertible seat are used to enhance the stability during normal use. They are not designed to replace a locking clip. A locking clip must be used to properly secure the seat with a belt as described above.

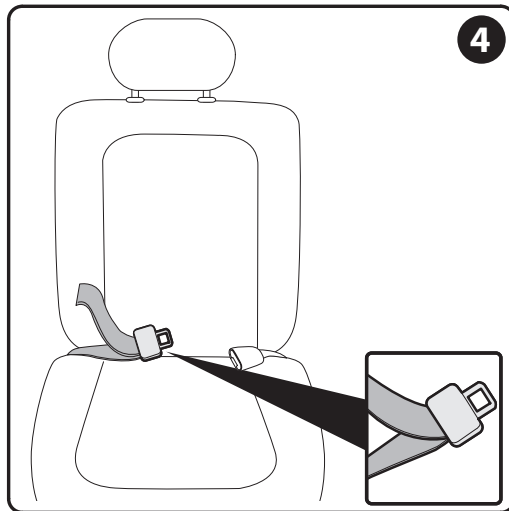


## Installing your child restraint in the vehicle

**Lap belt (2-point) with a locking latch plate.** This type of belt can be adjusted by pulling/releasing the strap tail at the latch plate.

Some vehicles may have seatbelts with large rigid buckles. These designs may cause the installation to be troublesome and affect stability of the child restraint during normal use. Also, it may cause slack in the belt that may result in poor performance in case of a sudden stop or crash. In this situation, try another seating position in the vehicle or consult your vehicle owner's manual.

Please consult a certified child passenger safety technician for other installation options ([www.nhtsa.gov/cps/cpsfitting/index.cfm](http://www.nhtsa.gov/cps/cpsfitting/index.cfm)).



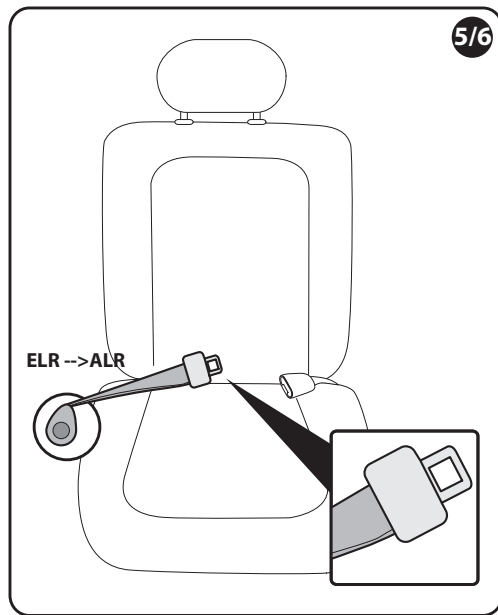
## Installing your child restraint in the vehicle

**Lap belt (2-point) with Switchable Locking Retractor (ELR --> ALR).** This type of seat belt has a latch plate that is sewn to the end of the belt. To activate ALR retractor for child seats installation, some vehicle models may require to pull the belt all the way through; some other vehicle models may require to pull the belt for a certain length (check vehicle owner's manual for details). Tighten the belt around the seat feeding the belt back into the retractor. The belt will not extend unless you unbuckle the belt and repeat the operation from the beginning.

**Lap belt (2-point) with Emergency Locking Retractor (ELR).** This type of seat belt has a latch plate sewn at the end of the belt; it will only lock in an emergency (sudden stop or crash).

**Important note:** DO NOT USE Primo Viaggio Convertible Kinetic with this belt or consult a certified child passenger safety technician for

other installation options  
([www.nhtsa.gov/cps/cpsfitting/index.cfm](http://www.nhtsa.gov/cps/cpsfitting/index.cfm)).



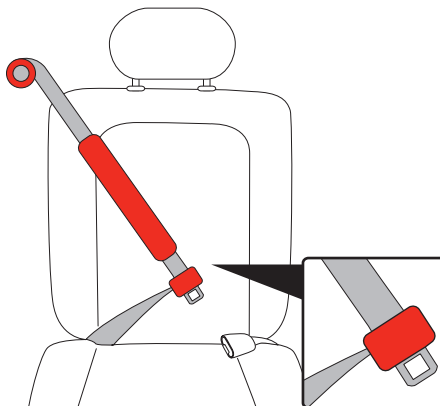
## Vehicle seat belt overview

### Lap / shoulder belt (3 point) with inflatable shoulder belt.

This type of seat belt is available on some recent vehicle models. The shoulder portion of this belt is equipped with an airbag inflatable in a crash.

**Important note:** DO NOT USE Primo Viaggio Convertible Kinetic with this belt.

Please, contact Peg Perego Customer Service @ 1-800-671-1701 for additional information.

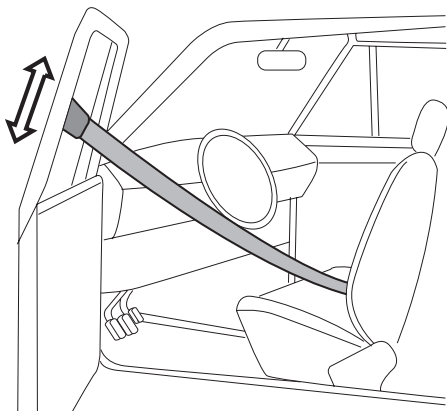


## Installing your child restraint in the vehicle

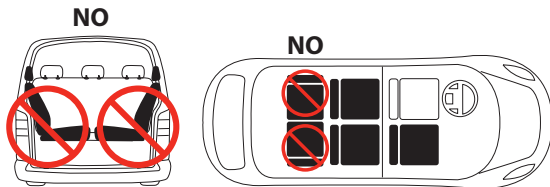
### NON COMPATIBLE VEHICLE BELT DESIGNS

**WARNING: do not use Primo Viaggio Convertible Kinetic with the following vehicle belt design:**

1. Lap/motorized shoulder belts.  
Belts mounted on the door

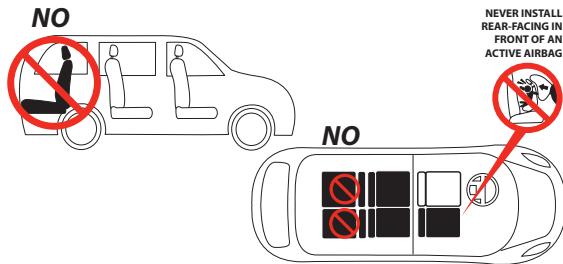


2. Side facing seats



3. Rear facing seats

4. Rotating seat unless tray can be locked in forward facing direction.



For your child's safety, always read your vehicle owner's manual for further information.

## Installing your child restraint in the vehicle

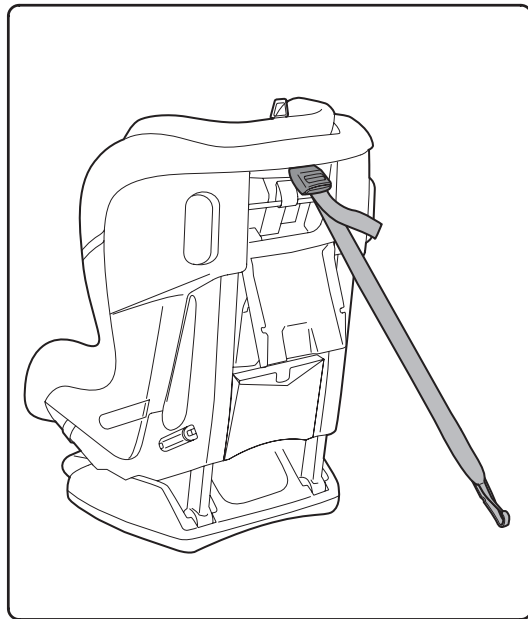
**TOP TETHER:** The top tether is an additional strap attached at the top of the Primo Viaggio Convertible Kinetic shell equipped with a hook and an adjuster.

Peg Perego always recommends the use of the top tether. It is a device designed to increase stability in normal use and improve safety in an accident.

The top tether has to be connected to a suitable tether attachment point in the vehicle.

Do not attach the Primo Viaggio Convertible Kinetic Tether to vehicle anchorage points not designed as child restraint tether anchorage points, as this may result in a failure during a crash.

**Important!** maximum child weight for top tether use is 65 lbs (29.5 kg).

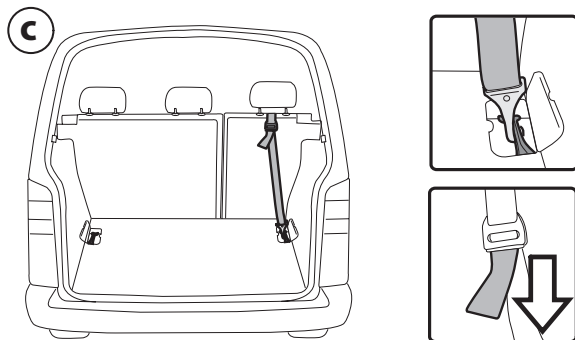
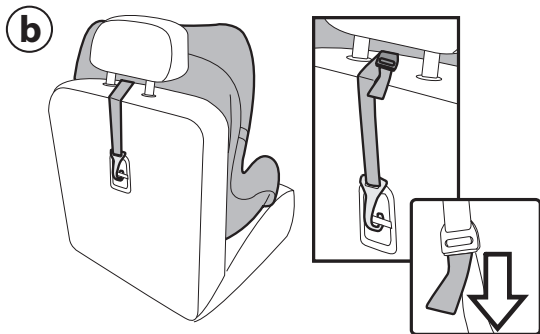
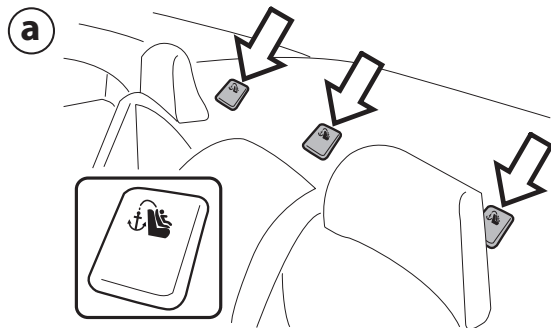




## Installing your child restraint in the vehicle

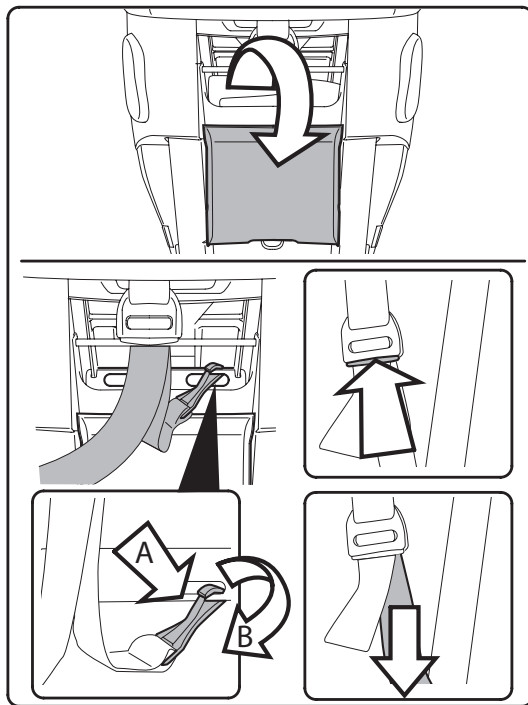
Common locations for top tether attachments are: the rear shelf in sedan type vehicle (a), the back of the seat backrest in minivans (b), the rear compartment in SUVs and other vehicles (c).

To locate the proper points, please refer to your vehicle owner's manual.



## Installing your child restraint in the vehicle

To use the tether, open the plastic pouch, detach the hook from its rear attachment. Press on the adjuster button in order to lengthen the strap to the required length. When not in use, keep the tether attached in the plastic pouch. A free hanging metal hook could cause injury during a crash.



## Installing your child restraint in the vehicle

### WEIGHT AND DIMENSION RANGE

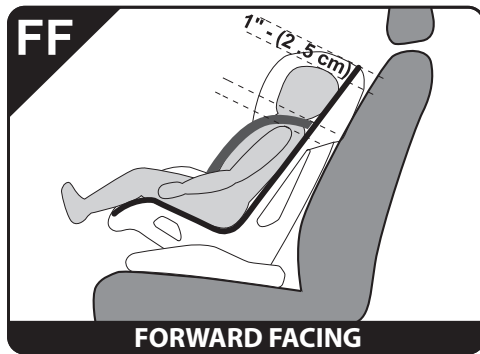
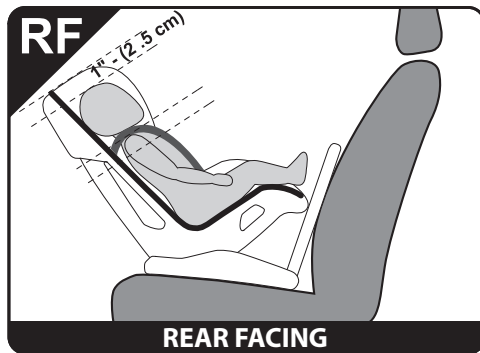
#### **REAR FACING MODE**

- Use rear facing with vehicle belt with children who weigh 5 – 45 lbs (2.3 – 20.4 kg) and with latch with children who weigh 5-40 lbs (2.3-18.2 kg);
- Use rear facing if head is at least one inch below headrest edge.
- The correct shoulder position is when shoulder straps are located at or just below shoulder level, as shown in the picture.

**Note:** The lower 7 head panel positions can be used in the rear facing mode. Positions 8, 9 and 10 should only be used in the forward facing mode. Refer to page 50 for head panel adjustment.

#### **FORWARD FACING MODE**

- Use forward facing with vehicle belt with children who weigh between 22 and 65 pounds (10 and 29.5 kg) and with latch with children who weigh 22-45 lbs (10-20.4 kg) .
- Use forward facing if head is no more than one inch above headrest edge.
- The correct shoulder position is when strap slots are located at or just above shoulder level, as shown in the picture.

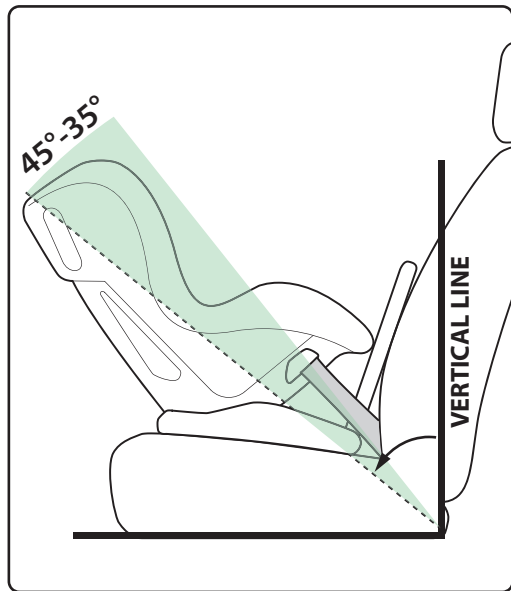


## Installing your child restraint in the vehicle - Rear Facing Mode

### PROPER LEVELLING OF CHILD RESTRAINT IN REAR FACING MODE

When properly installed according to the following sections, the child restraint used in rear facing mode should have a backrest angle of  $35^{\circ}$  -  $45^{\circ}$  from vertical. If it is not possible to reach such angle, use a pool noodle or a rolled towel to further recline the seat. Use the line drawn on the product as a reference. When the line is horizontal, the backrest angle will be at  $45^{\circ}$  with vertical. NOTE: make sure that the angle does not exceed  $45^{\circ}$  with vertical.

**Important!** Newborn infants should be properly reclined. If the seat reclines too much, your infant can be ejected from the seat in an accident. If too upright, it can cause breathing problems.



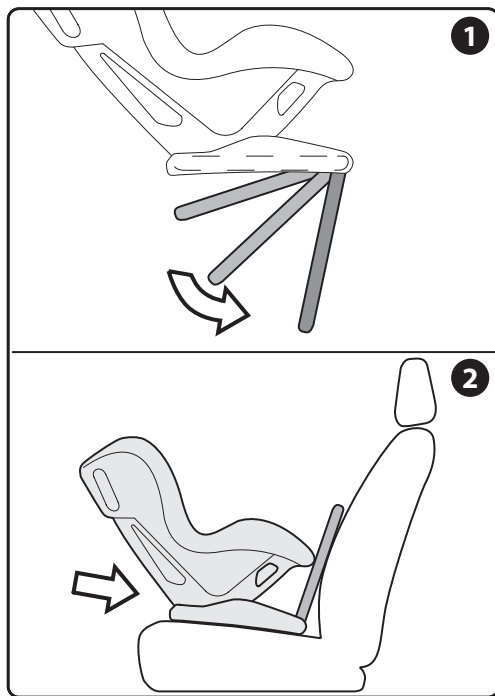
## Anti Rebound Bar (ARB)

The Anti Rebound Bar (ARB) is an additional safety feature of your child restraint. It is normally stored under the base and must be used in rear facing only.

Use of the Anti Rebound Bar is not mandatory, however its use will increase the stability of the seat and will protect your child in case of a rear collision or in a rebound following a frontal collision.

**1.** Disengage the rebound bar under the seat and rotate it until it clicks in position as shown in picture.

**2.** Lean the reclined seat, unoccupied, on the selected vehicle seat making sure that the front part of the rebound bar touches the vehicle seat backrest.



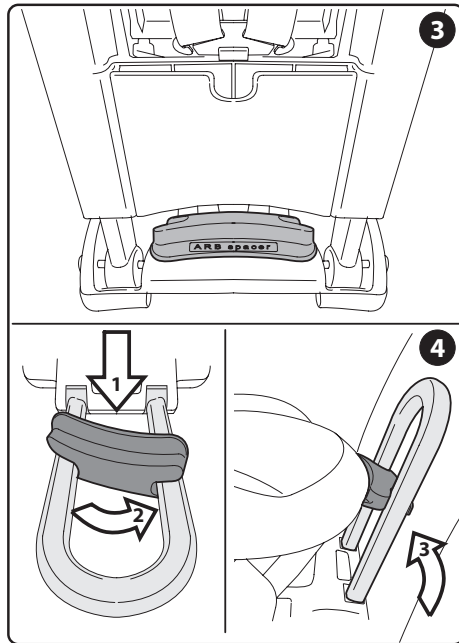
## ARB Spacer

**3.** To increase room for the occupant legs, a spacer is provided to be used in conjunction with the ARB. The ARB Spacer is located in the rear of the seat base as shown in the picture.

Un-snap it from the base for use. When not in use attach it again to the base with a snap.

**4.** Snap the ARB Spacer on the Anti Rebound Bar as shown in the picture and make sure that it lies between the ARB and the shell.

**IMPORTANT!** when stowing the ARB in its compartment, make sure that the spacer is removed and repositioned in its housing.



## Installing your child restraint in the vehicle - Rear Facing mode

### REAR FACING MODE USING LATCH SYSTEM



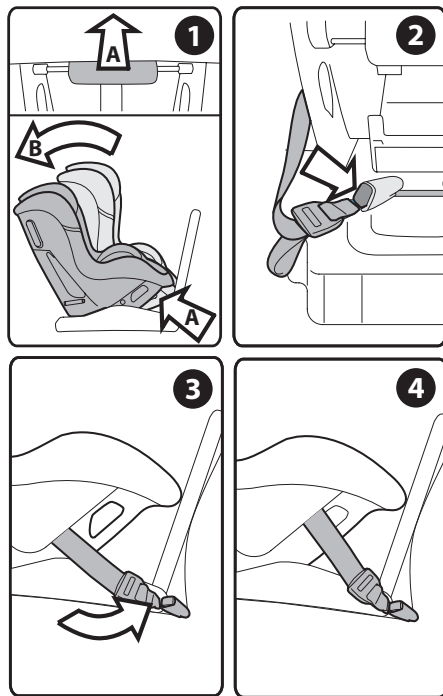
1. Recline the child restraint to the rearfacing position as shown in the picture. To recline the child restraint, pull the handle located below the front edge of the shell (A) as shown in detail. An audible "click" is heard when the seat is properly locked into position. Deploy the ARB as shown in the previous section.

**Note:** for easier adjustment, lift the back of the seat slightly with your free hand to remove some weight from the mechanism.

2. Disconnect the latch straps from the storage bar by pushing on the red button and pulling the straps at the same time.

3. Slide the straps toward the front of the child restraint. Check that the straps are not reversed.

4. Lean the reclined seat, unoccupied, on the selected vehicle seat in the rearfacing mode making sure that the front part of the seat touches the vehicle seat backrest.



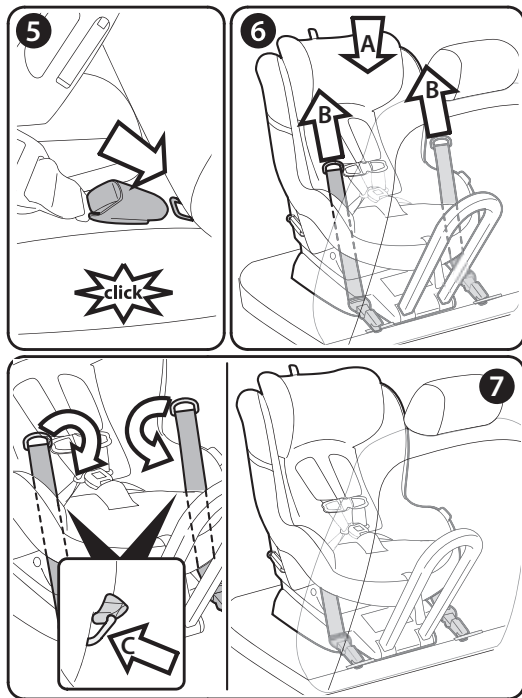
## Installing your child restraint in the vehicle - Rear Facing mode

**5.** Attach the lower connectors to the lower anchors of your vehicle located at the joint line between seat and backrest. Check your vehicle owner's manual to learn what is the best place for your child restraint. When the LATCH straps are connected to the lower anchors, an audible click will be heard. If this is not the case, repeat the operation and double check that the latch is attached and working by trying to pull the lower connector away from the lower anchor.

**6.** Push down the child restraint (A) into the seat with your own body weight and at the same time pull the strap ends in order to tighten the latch straps (B). Check that the connectors are evenly tightened and that the seat is not leaning sideways.

**7.** Picture shows the correct strap path when the seat is attached using the LATCH connectors. Make sure the seat is properly leveled as explained on page 28.

Verify that the child restraint does not move more than 1 inch (2.5 cm) near the latch anchors. **Do not install by this method for a child weighing more than 40 lbs.**





## Installing your child restraint in the vehicle - Rear Facing mode

### REAR FACING MODE USING LAP/ SHOULDER BELT (TYPE II)

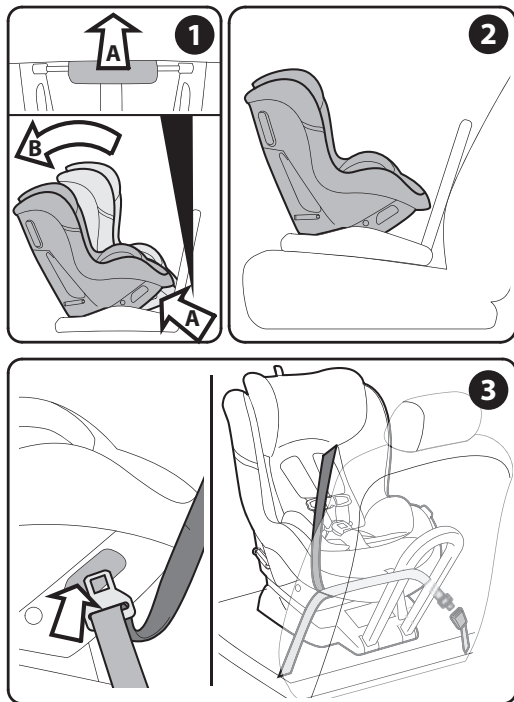
**1.** Recline the child restraint to the rearfacing position as shown in the picture. To recline the child restraint, pull the handle located below the front edge of the shell (A) as shown in detail. An audible "click" is heard when the seat is properly locked into position.

**Note:** for easier adjustment, lift the back of the seat slightly with your free hand to remove some weight from the mechanism.

**2.** Lean the reclined child restraint, unoccupied, on the selected vehicle seat.

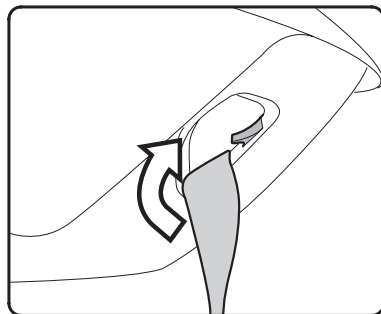
**3.** Pull the vehicle belt at full available length and thread both the lap and shoulder portion of the belt through the openings under the seat area as shown in the picture.

**Note:** for easier threading, turn the seat at a 45 degree angle, thread the latch plate through the first opening, reach under the front of the seat and thread through the second opening.



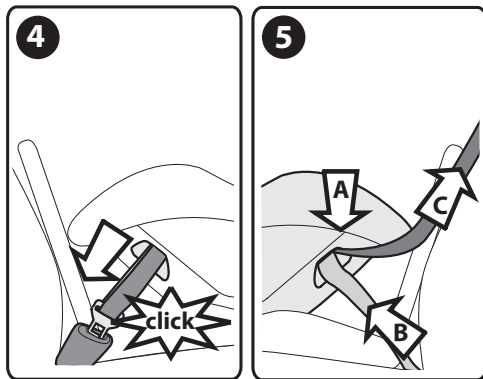
## Installing your child restraint in the vehicle - Rear Facing mode

**IMPORTANT:** check inside the shell openings; verify that the waist portion of the belt is placed as shown in the picture.



**4.** Buckle the vehicle belt and check under the seat that the adjuster strap is not entangled with the vehicle seat belt.

**5.** Push the child restraint firmly into the vehicle seat and pull the vehicle belt in order to eliminate any slack. Follow the procedure shown in the picture making sure that while the child restraint is pushed down (A), the lap portion of the belt is pulled from the fixed point toward the buckle (B). Then pull the diagonal portion of the belt upwards (C).



## Installing your child restraint in the vehicle - Rear Facing mode

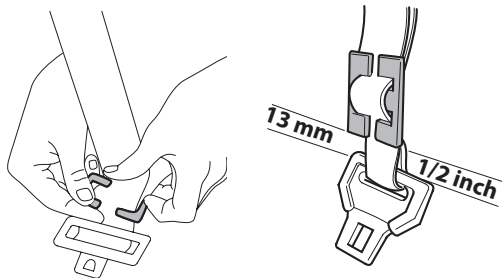
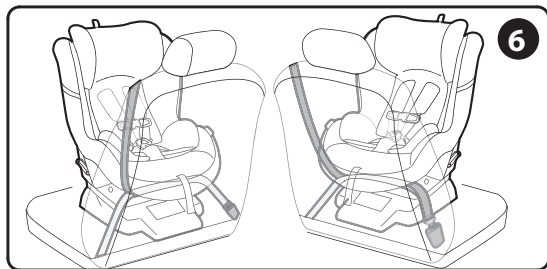
6. The picture shows the correct belt path when the child restraint is attached to the vehicle using a lap/shoulder belt. Make sure the child restraint is properly leveled as explained on page 28.

**Verify that the child restraint is secure. A secure child restraint will not move more than 1 inch (2.5 cm) near the seat belt anchors.**

### USE OF A LOCKING CLIP

Should your vehicle belt need a locking clip, a standard one can be purchased in specialized retailers or through Peg-Perego Customer Service.

To install the locking clip, hold the shoulder strap and lap belt together just above the buckle. Unbuckle the belt while holding the straps. Hook the locking clip around both straps as shown. Leave 1/2 inch space between the clip and latch. Re-buckle the belt.



## Installing your child restraint in the vehicle - Rear Facing mode

### REAR FACING MODE USING LAP BELT (TYPE I)

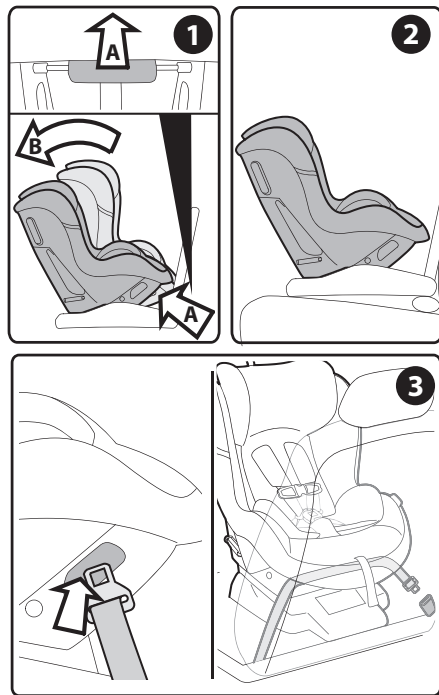
1. Recline the child restraint to the rearfacing position as shown in the picture. To recline the seat, pull the handle located below the front edge of the shell (A) as shown in detail. An audible "click" is heard when the seat is properly locked into position.

**Note:** for easier adjustment, lift the back of the seat slightly with your free hand to remove some weight from the mechanism.

2. Lean the reclined child restraint, unoccupied, on the selected vehicle seat.

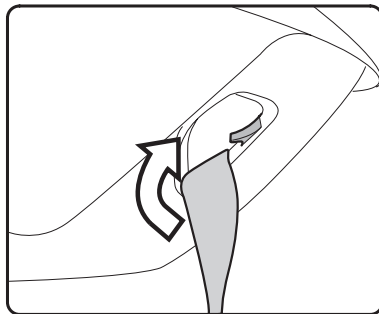
3. Pull the vehicle belt at full available length and thread through the openings under the seat area as shown in the picture.

**Note:** for easier threading, turn the seat at a 45 degree angle, thread the latch plate through the first opening, reach under the front of the seat and thread through the second opening.



## Installing your child restraint in the vehicle - Rear Facing mode

**IMPORTANT:** check inside the shell openings; verify that the belt is placed as shown in the picture.



## Installing your child restraint in the vehicle - Rear Facing mode

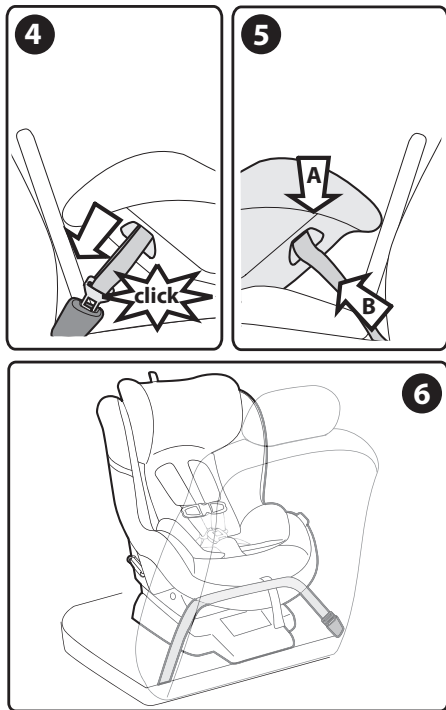
**4.** Buckle the vehicle belt and check that it is threaded below the adjuster strap and not entangled with it.

**5.** Push the seat firmly into the vehicle seat (A) and pull the vehicle belt (B) in order to tighten the seat, eliminating any slack.

**6.** The picture shows the correct belt path when the seat is attached to the vehicle using a lap belt.

Once the installation is completed check that the seat is properly levelled following the section on page 28.

**Verify that the child restraint is secure. A secure child restraint will not move more than 1 inch near the seat belt anchors.**



## Installing your child restraint in the vehicle - Forward Facing mode

*Important! Remove newborn filler cushion in forward facing mode (see page 53).*

**IMPORTANT:** make sure that the Anti-Rebound Bar is properly stowed when using the seat forward facing as shown in page 30.

### FORWARD FACING MODE USING LATCH SYSTEM



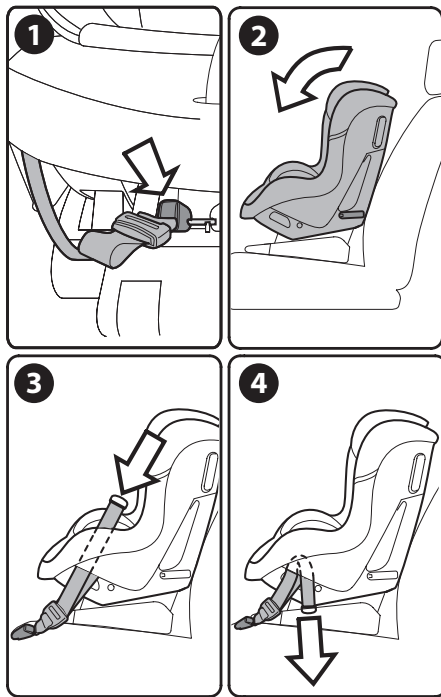
**1.** Recline the child restraint pulling the handle located below the front edge of the shell. This will make access to the latch storage area easier.

Disconnect the latch straps from the storage bar by pushing on the red button and pulling the straps at the same time.

**2.** Pull the handle again and move the child restraint to the upright position. You should hear a "click" when locked in the upright position. Lean the child restraint on the vehicle seat making sure that the lock off clips are closed.

**3.** Thread the loose end of the latch strap through the shell.

**4.** Make sure that the strap end with the D-ring is out of the shell and free.



## Installing your child restraint in the vehicle - Forward Facing mode

**5.** Take each LATCH strap from front to rear sliding the straps along their tubing.

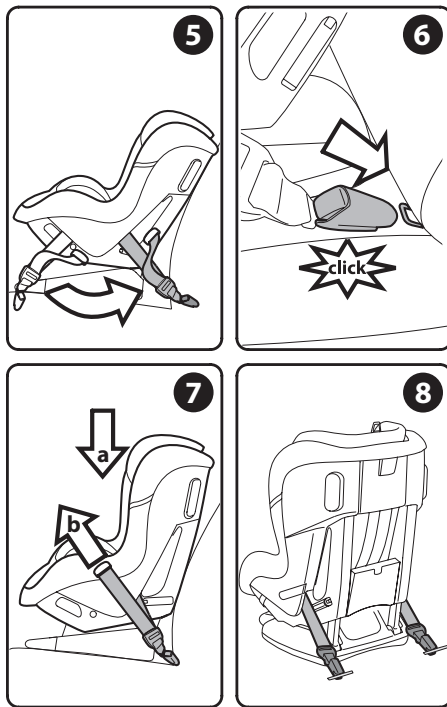
**6.** Attach the lower connectors to the lower anchors of your vehicle located at the joint line between seat and backrest. Check your vehicle owner's manual to learn what is the best place for your car. When the LATCH straps are connected to the lower anchors, an audible click will be heard. If this is not the case, repeat the operation and double check that the latch is attached and working by trying to pull the lower connector away from the lower anchor.

**7.** Push down the child restraint (A) into the seat with your own body weight and at the same time pull the strap ends (B) in order to tighten the latch straps. Check that the connectors are evenly tightened and that the seat is not leaning sideways.

**8.** Picture shows the correct strap path when the child restraint is attached to the vehicle using the LATCH connectors.

Verify that the child restraint does not move more than 1 inch (2.5 cm) near the latch anchors.

**Do not install by this method for a child weighing more than 45 lbs.**



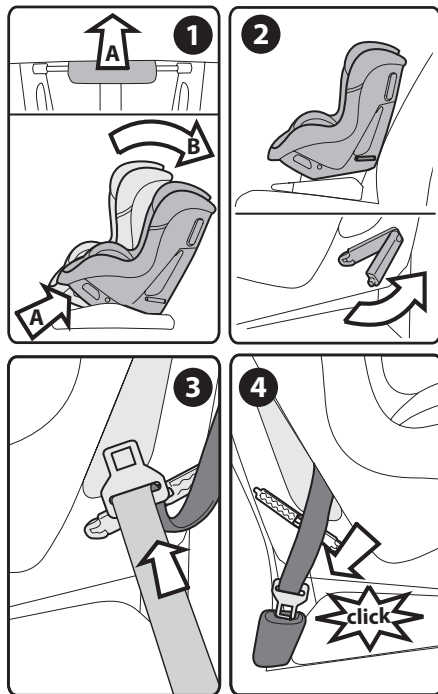


## Installing your child restraint in the vehicle - Forward Facing mode

*Important! Remove newborn filler cushion in forward facing mode (see page 53).*  
**IMPORTANT:** make sure that the Anti-Rebound Bar is properly stowed when using the seat forward facing as shown in page 30.

### **FORWARD FACING MODE USING LAP/SHOULDER BELT (TYPE II)**

1. Before installing the child restraint, make sure that the backrest is in the upright position or adjust it using the handle below the front edge of the shell (A) as shown in detail.
2. Lean the upright child restraint, unoccupied, on the selected vehicle seat. Make sure that the LATCH straps are stored in their proper location (page 39 - picture 1) and that the rear openings in the structure are free and ready for use. Open the lock off clips on both sides as shown in the picture.
3. Pull the vehicle belt at full available length and thread both the lap and shoulder portions of the belt through the openings in the structure behind the child restraint as shown in the picture.
4. Buckle the vehicle belt and check that the vehicle belts are both threaded through the openings, free of any entanglement.



## Installing your child restraint in the vehicle - Forward Facing mode

**5.** Push the child restraint firmly into the vehicle seat and pull the vehicle belt eliminating any slack. While pushing the seat down (A), pull the lap portion of the belt from the fixed point toward the buckle (B). Then pull the diagonal portion of the belt (C).

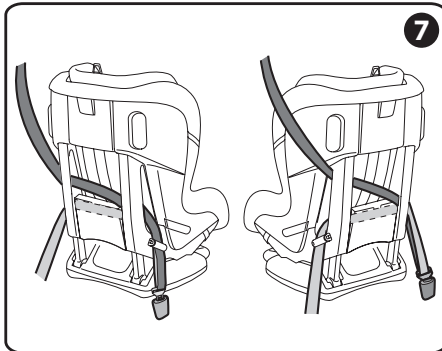
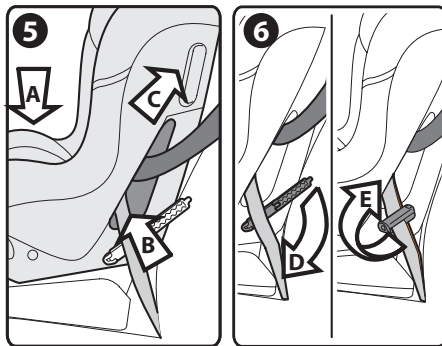
**6.** Close the lockoff clip following the procedure shown in picture (D and E).

Make sure that only the lap portion of the belt passes through the opened lockoff clip on the side where the shoulder strap goes up to the retractor (picture 6).

**7.** Open the lockoff clip on the buckle side. Make sure that both the lap and shoulder belts go through the lockoff near the buckle. Close the lockoff clip following the procedure shown in picture 6 (D and E).

**Verify that the child restraint is secure. A secure child restraint will not move more than 1 inch (2.5 cm) near the seat belt anchor.**

**Important Note:** The lock off clips located on the side of the Primo Viaggio Convertible Kinetic seat are used to enhance the stability during normal use. The lock offs are not designed to replace an automatic locking retractor or a locking latch plate.



## Installing your child restraint in the vehicle - Forward Facing mode

*Important! Remove newborn filler cushion in forward facing mode (see page 53).*

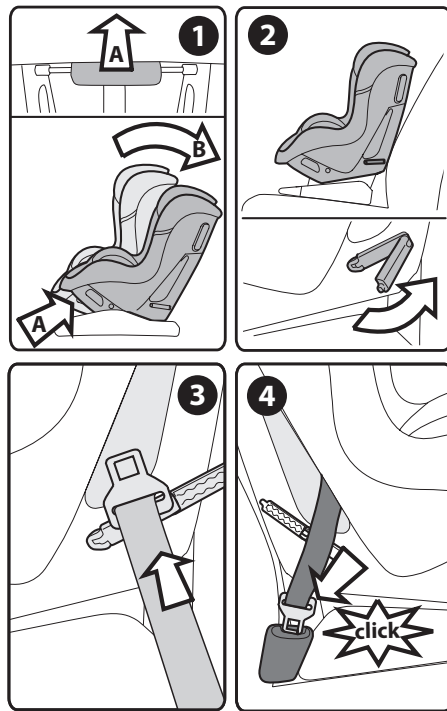
**IMPORTANT:** make sure that the Anti-Rebound Bar is properly stowed when using the seat forward facing as shown in page 30.

### FORWARD FACING MODE USING LAP BELT (TYPE I)

**1.** Before installing the child restraint in the vehicle, make sure that the backrest is in the upright position or adjust it using the handle located below the front edge of the shell (A) as shown in detail.

**2.** Lean the upright child restraint, unoccupied, on the selected vehicle seat. Make sure that the LATCH straps are stored in their proper location (page 39 - picture 1) and that the rear openings in the structure are free and ready for use. Open the lock-off clips, as shown in the picture .

**3.** Pull the vehicle belt at full available length and thread the belt through the openings in the structure behind the child restraint as shown in the picture.



## Installing your child restraint in the vehicle - Forward Facing mode

4. Buckle the vehicle belt and check that the vehicle belt is free of any entanglement.

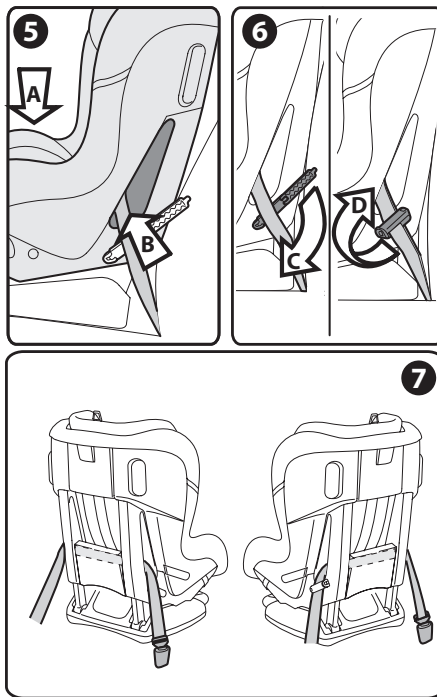
5. Push the child restraint firmly into the vehicle seat (A) and pull the vehicle belt (B) in order to tighten the seat, eliminating any slack.

6. Make sure that the belt passes through the opened lockoff clips and then close them on both sides following the procedure shown in picture (C and D).

7. Picture shows the correct belt pattern when the product is installed in the forward facing mode using a lap belt.

**Verify that the child restraint is secure. A secure child restraint will not move more than 1 inch (2.5 cm) near the seat belt anchors.**

**Important Note:** The lock off clips located on the side of the Primo Viaggio Convertible Kinetic seat are used to enhance the stability during normal use. The lock offs are not designed to replace an automatic locking retractor or a locking latch plate.



## Installing your child restraint in the vehicle - Forward Facing mode

### USING THE TETHER IN FORWARD FACING MODE

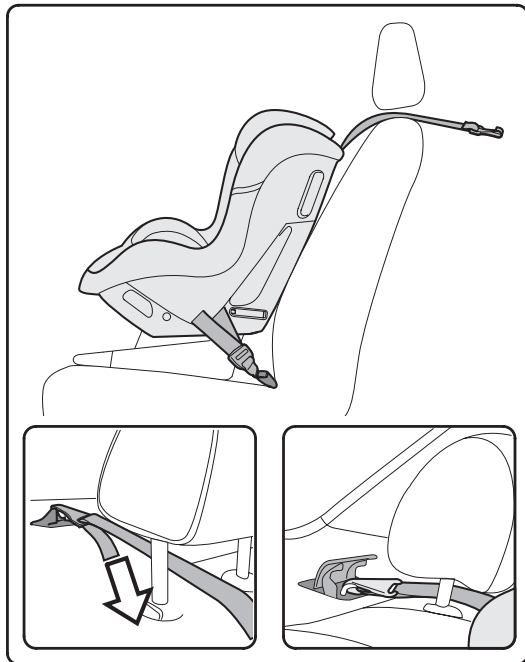
Peg Perego always recommends the use of the top tether.

The tether prevents excessive rotation of the seat in a crash. It reduces the risk for the child to impact objects in front of him.

Remove the tether hook from the rear pouch (page 26).

Attach the tether hook to the designated tether anchor and pull the free strap until the tether is fully tensioned and free of any slack. Pictures show the tether anchor located on the rear shelf.

Alternative tether locations are illustrated at page 25.



## Installing your child restraint in an aircraft

This child restraint is certified for use in an aircraft. Most airlines should allow the use of a restraint which is labelled for use according to FAA regulations.

However, due to the size and weight of the Primo Viaggio Convertible Kinetic, it is recommended that airline is contacted for further information prior to booking or flight.

Aircraft seatbelts are waist only type (Type I belt).

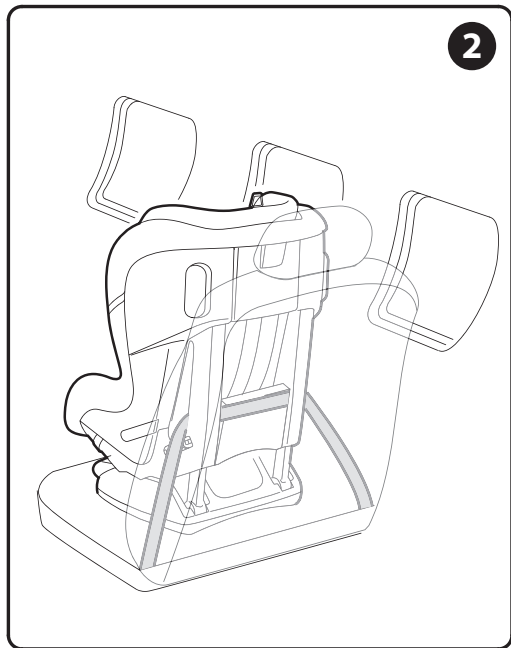
**1.** Installation in rear facing mode: please refer to the section on page 36 for proper belt fit.



## Installing your child restraint in an aircraft

**2.** Installation in forward facing mode: please refer to page 37 for proper belt fit. Use of lockoff clips is not required.

After installation make sure that the child restraint is properly levelled and safely secured on the aircraft seat. Should you need further help, please contact aircraft crew.



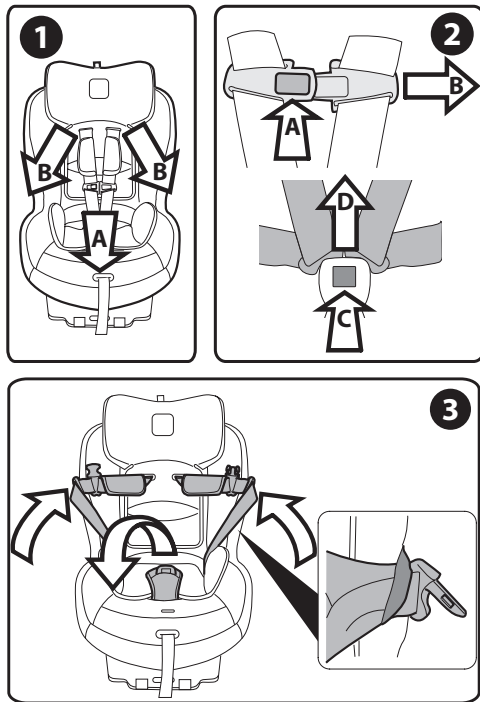
## Securing your child into the child restraint

### HARNESS USE AND ADJUSTMENT

**1.** This child restraint uses a 5 point harness system to secure your child. Before placing your child in the seat, push the release button (A) and pull the shoulder straps (B) as shown in the picture.

**2.** Open the buckle by pushing on the red button (C) and pulling the latch plates up (D) as shown in the picture. Open the chest clip following the procedure shown in the picture (A and B).

**3.** Insert the buckle tongues into the side bands and pull the crotch portion of the harness assembly in forward position, to make room for your child. Make sure that the seating area is free of any harness or other objects.





## Securing your child into the child restraint

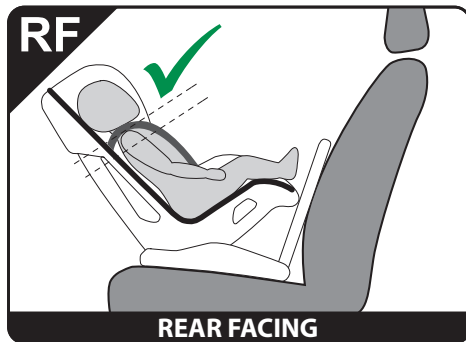
**4.** Put your child in the child restraint with his/her bottom and back flat against the child restraint.

Bring the two shoulder straps over your child's shoulders. Make sure that the straps are not twisted behind the backrest or over your child's chest.

Check that the harness is at the right shoulder height.

When the child restraint is used in rear facing mode, the correct shoulder position is when the shoulder straps are located at or just below shoulder level, as shown in the picture.

**5.** When the child restraint is used in forward facing mode, the correct shoulder position is when the shoulder straps are located at or just above shoulder level, as shown in the picture.



## Securing your child into the child restraint

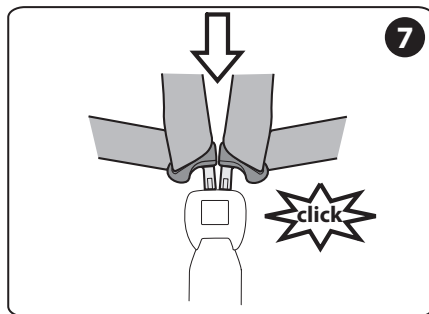
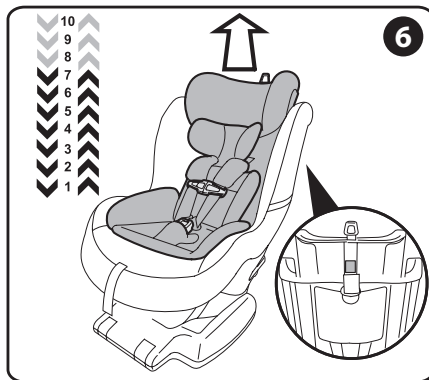
**6.** To adjust the shoulder strap level, from bottom to top, pull the ring located on top of headrest until the panel is disengaged and able to move. Once the desired position is reached, make sure that the panel is properly latched.

To adjust the shoulder strap level from top to bottom pull the ring with one hand and push the panel down with the other hand at the same time. Check that the panel is properly latched.

**Note:** The lower 7 head panel positions can be used in the rear facing mode. Positions 8, 9 and 10 should only be used in the forward facing mode.

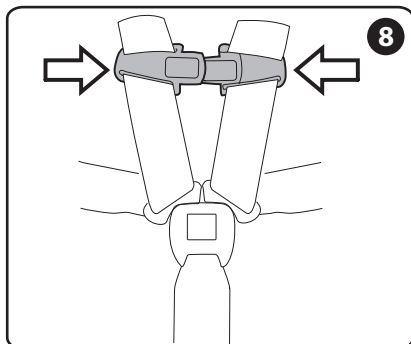
Check maximum rear facing head panel height behind the seat (detail in picture 6).

**7.** Insert both latch plates into the buckle until you hear them click. Pull on the straps to make sure that both plates are latched securely.

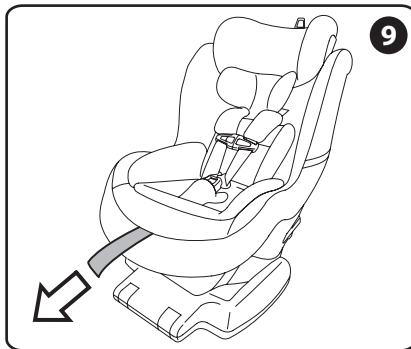


## Securing your child into the child restraint

**8.** The harness is equipped with a chest clip. This device is used in order to guarantee that the shoulder harness is positioned correctly on the shoulder, preventing the risk of the straps falling down the shoulder in an accident. To close the chest clip push the two parts together as shown.



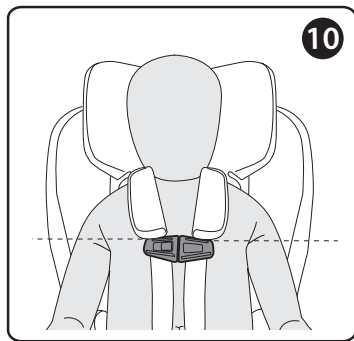
**9.** To tighten the harness, pull the adjuster strap at the bottom of the child restraint until strap is snug. Make sure you leave one finger width between the harness and your child's collar bone.



## Securing your child into the child restraint

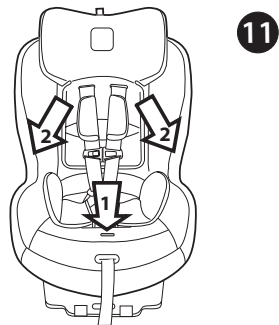
**10.** When the harness is tightened, check that the chest clip is at arm pit level. If necessary remove the shoulder pads (attached with Velcro) as they are not considered as safety features.

**Important!** A snug strap should not allow any slack. It lies in a relatively straight line without sagging. It does not press on the child's flesh or push the child's body into an unnatural position.



**11.** To loosen the harness, press and hold the harness adjuster button inside the slot located at your child's feet (1) and pull the top harness (2) as shown in the picture.

To undo the latch plates, press the red button and pull the latches up.



## Securing your child into the child restraint

### Tri-Stage Cushion

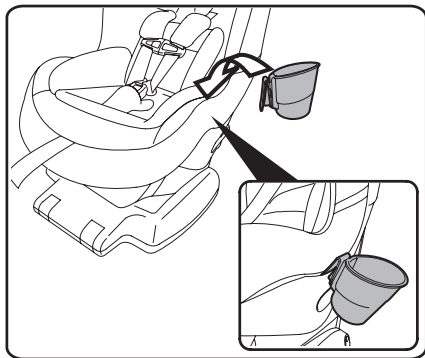
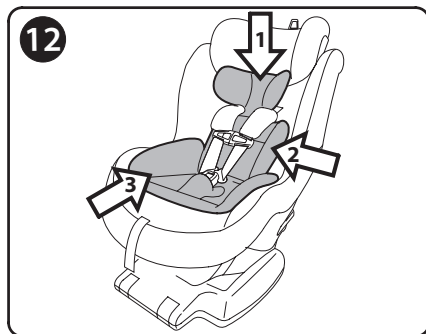
**12.** Primo Viaggio Convertible Kinetic is supplied with a specifically designed filler cushion for smaller infants. The cushion is composed of three parts designed to provide better harness fit and proper head position between the side wings of the head pad.

**Important note:** Tri-Stage Cushion is designed for use in rear facing mode only. It must be removed when the seat is used in the forward facing mode.

Do not use part 1 and 2 for children weighing more than 14 lbs (6 kg). Do not use part 3 for children weighing more than 22 lbs (10 kg).

### The Cup holder

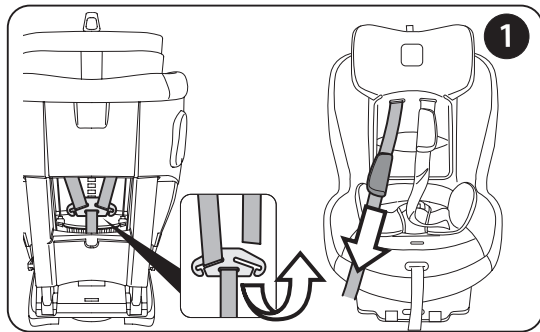
Put the cup holder on the side of the seat as shown in the picture.



## Cleaning and maintenance

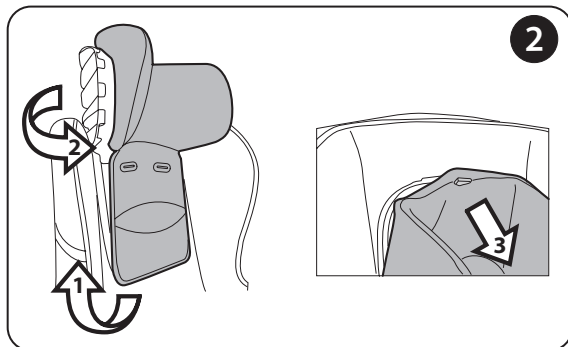
Your child restraint requires a minimum of cleaning and maintenance. Do not clean with harsh products or solvents. Keep moving parts clean. In case, clean plastic parts with a damp cloth. Do not use water with harness and latching mechanisms. Protect it from extreme cold, water, rain and sun exposure. Prolonged exposures to these elements can change the colors in the material but also change their mechanical properties. Store it in a dry area if not used for long periods. **Warning!** Do not use or purchase the child restraint 10 years after the production date labelled on the seat or shell. The upholstery is likely to be removed and cleaned frequently. Follow the procedure below to remove the fabric and reassemble it properly. Check the child restraint features before disassembly and make sure that the same features are still working once it is set up for use again. Extra care is required when removing padding to avoid breaking the white EPS and EPP panels on the product.

**1.** Pull the head panel all the way up. Detach shoulderbelts from rear metal plate in the back of the child restraint. Turn it around and pull the straps from the openings at shoulder level.

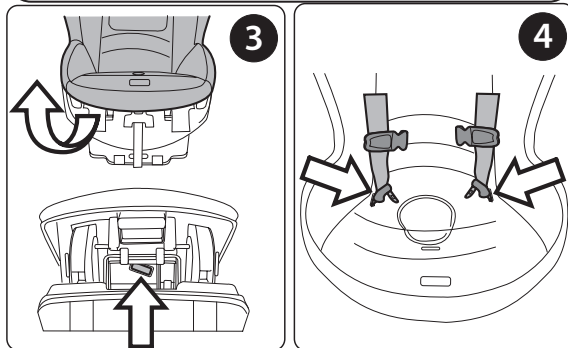


## Cleaning and maintenance

**2.** Remove head panel padding following the procedure (1, then 2). Take care of the soft white EPP insert.



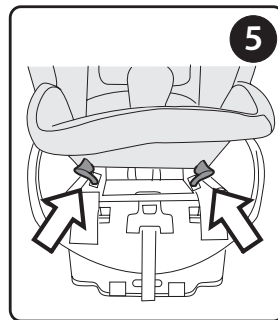
**3.** Undo the lower part of upholstery and remove it from the crotch strap. The crotch portion of the harness does not need to be removed.



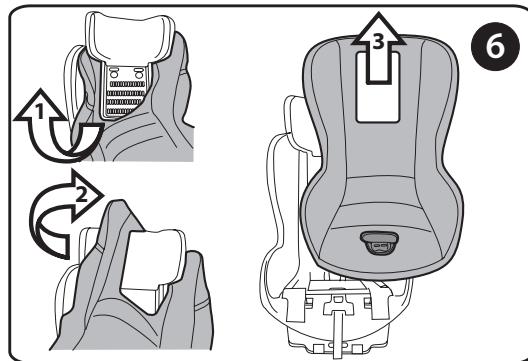
**4.** Pull the bottom part of the upholstery upward making sure that the shoulder belts are let through the side openings.

## Cleaning and maintenance

**5.** Check that the adjuster is free of food particles or debris that could prevent correct functioning.



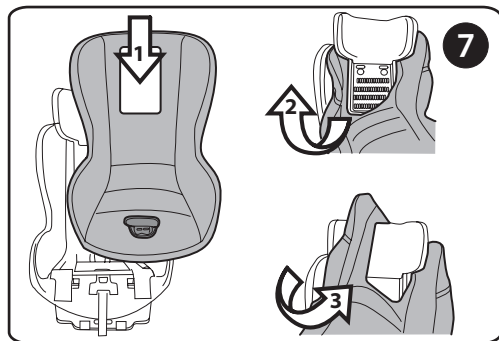
**6.** Remove the padding from bottom to top making sure that the side impact wings white EPS are not bent or broken in the process.



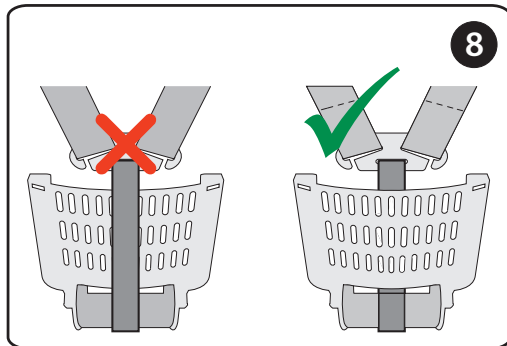


## Cleaning and maintenance

**7.** To reassemble the upholstery, start from the head panel opening as shown in the sequence. Then put the head panel cover on. Pull shoulder straps up through slots in the bottom of the upholstery. Pull crotch strap through hole in upholstery. Push shoulder straps through head pad.



**8.** Properly connect shoulder straps. Make sure that the harness is reconnected properly to the rear plate. The central adjuster strap must pass behind the plastic shield as shown.



## Cleaning and maintenance

### MAINTENANCE OF THE PADDING

Brush the fabric parts to remove dust.

- Machine wash at a maximum of 90 F (30°C) with a delicate wash setting and short spin cycle.
- Do not use chlorine bleach.
- Do not iron.
- Do not dry clean.
- Do not remove stains with solvents.
- Do not tumble dry.



## How to tell if the seat has been in a crash

The Primo Viaggio Convertible Kinetic can withstand minor crashes without any damage. If the child restraint has been in a crash, you must determine if it is suitable for further use. First review the five guidelines listed below and then refer to the next section titled "clear signs the child restraint has been in a crash".

What defines a minor crash? A minor crash is one in which **ALL** of the following apply:

- The vehicle was able to be driven away from the crash site.
- The vehicle door nearest to the car seat was not damaged.
- None of the passengers in the vehicle sustained any injuries in the crash.
- The vehicle air bags did not deploy during the crash.
- There is no visible damage to the car seat.

If any one of these five statements apply, the seat may be damaged and should not be used. If these statements do not apply, refer to the next section to check for hidden damage.

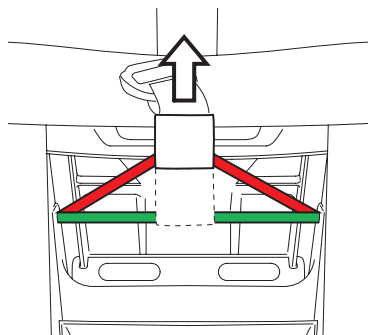
### **Clear signs the child restraint has been in a crash.**

Peg Perego does not recommend purchasing used seats for which there is no known history. A child restraint can be damaged in a vehicle crash, and may not be suitable for further use after a vehicle crash.

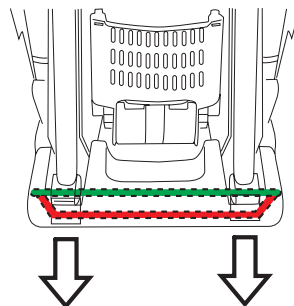
The Primo Viaggio Convertible Kinetic has energy absorbing features that reduce forces on the child passenger during a vehicle crash. These features can only absorb energy one time. If any of these features show damage as shown below, the entire seat must be replaced.

## How to tell if the seat has been in a crash

**1. Tether Bar:** The tether bar is located on the back of the seat shell near the top (open the tether plastic storage pouch if so equipped). The tether bar will bend during a crash. The tether bar should be straight (green illustration). If the bar is bent (red illustration), the seat has been in a crash and should be replaced.

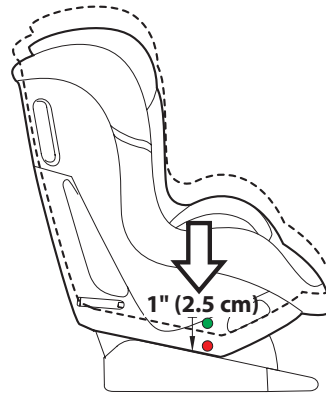


**2. Rear Bar:** The rear bar runs through the rear of the base. The rear bar will bend during a crash. The bar should be straight (green illustration). If the rear bar is bent (red illustration), the seat has been in a crash and should be replaced.

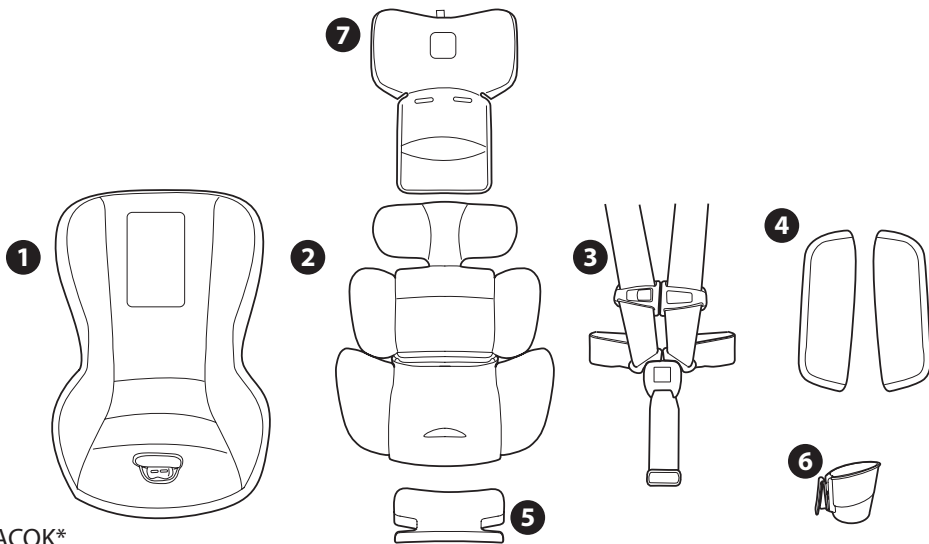


## How to tell if the seat has been in a crash

**3. Pivot Bolts:** The pivot bolts are located on each side of the seat. The pivot bolts will move closer to the base during a crash. There should be about 1 inch (2.5 cm) of space between the pivot bolt and the top of the base (green illustration). If the pivot bolt is located at or near the top of the base (red illustration), the seat has been in a crash and should be replaced.



## Replacement Parts



- 1) BSACOK\*
- 2) BRICKI\*
- 3) MUCI0165GN
- 4) BAKCK\*
- 5) SPST10373NFS
- 6) SPST10036NF
- 7) BPTCKI\*

**NOTE:** Spare parts available in different colors\* to be specified when ordering.

## **Declaration of conformity**

### **Product name**

PRIMO VIAGGIO CONVERTIBLE KINETIC

### **Product reference number**

IMCO\*

### **Reference Standards (origin)**

FMVSS 571-213 (USA)

### **Declaration of conformity**

PegPerego S.p.A. declares, under its own responsibility, that the item in question has undergone a series of internal tests and has been certified by external independent laboratories, in compliance with current legislation.

### **Date and place of issue**

Arcore, May 2018

PegPerego S.p.A.  
via De Gasperi, 50  
20862 Arcore (MB), ITALY

## **declaración de conformidad**

### **Denominación del producto**

PRIMO VIAGGIO CONVERTIBLE KINETIC

### **Código de identificación del producto**

IMCO\*

### **Normativas de referencia (origen)**

FMVSS 571-213 (USA)

### **Declaración de conformidad**

PegPerego S.p.A. declara bajo su propia responsabilidad que el artículo considerado ha sido sometido a ensayos propios y ha sido certificado por laboratorios externos e independientes de conformidad con las normas vigentes.

### **Fecha y lugar de expedición**

Arcore, mayo 2018

PegPerego S.p.A.  
Via De Gasperi, 50  
20862 Arcore (MB), ITALY

**Declaración de conformidad**

**Denominación del producto**  
PRIMO VIAGGIO CONVERTIBILE KINETIC

**Código de identificación del producto**  
IMCO\*

**Normativas de referencia (origen)**  
FMVSS 571-213 (USA)

**Declaración de conformidad**

PegPerego S.p.A. declara bajo su propia responsabilidad que el artículo considerado ha sido sometido a ensayos propios y ha sido certificado por laboratorios externos e independientes de conformidad con las normas vigentes.

**Fecha y lugar de expedición**  
Arcore, mayo 2018

PegPerego S.p.A.  
Via De Gasperi, 50  
20862 Arcore (MB), ITALY

**Declaration of conformity**

**Product name**  
PRIMO VIAGGIO CONVERTIBILE KINETIC

**Product reference number**  
IMCO\*

**Reference Standards (origin)**  
FMVSS 571-213 (USA)

**Declaration of conformity**

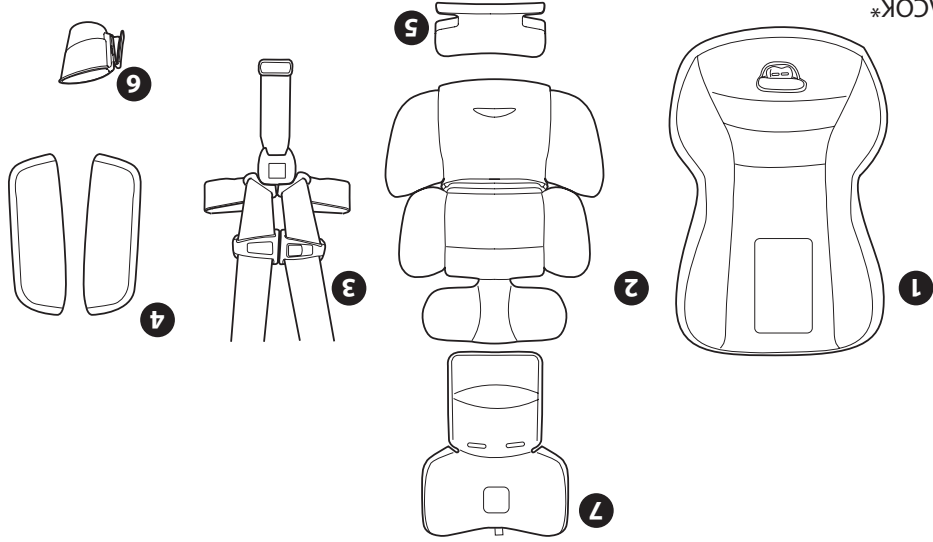
PegPerego S.p.A. declares, under its own responsibility, that the item in question has undergone a series of internal tests and has been certified by external independent laboratories, in compliance with current legislation.

**Date and place of issue**  
Arcore, May 2018

PegPerego S.p.A.  
via De Gasperi, 50  
20862 Arcore (MB), ITALY



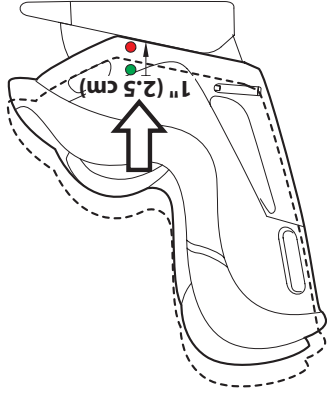
## Piezas de repuesto



- 1) BSACOK\*
- 2) BRICKI\*
- 3) MUCIO165GN
- 4) BAKK\*
- 5) SPST10373NFS
- 6) SPST10036NF
- 7) BPTCKI\*

**NOTA:** cuando haga su pedido especifique los colores\* de las piezas de repuesto.

## Cómo saber si la silla estuvo involucrada en un accidente

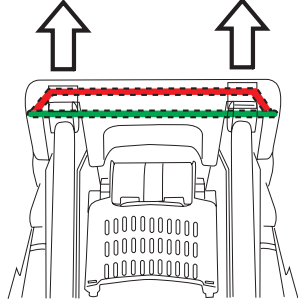
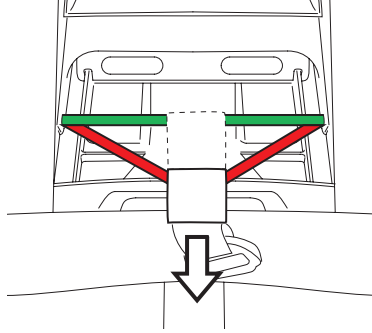


**3. Pernos:** los pernos se encuentran de cada lado de la silla. Estos pernos se acercan a la base durante un accidente. Debe haber aproximadamente una pulgada (2,5 cm) de espacio entre el perno y la parte superior de la base (ilustrado en verde). Si el perno está en o cerca de la parte superior de la base (ilustrado en rojo), la silla sufrió un accidente y se debe reemplazar.

## Cómo saber si la silla estuvo involucrada en un accidente

**1. Barra de enganche:** la barra de enganche se encuentra en la parte trasera de la carcasa del asiento, cerca de la parte superior (abra el estuche de almacenamiento de plástico del enganche, si está instalado). Durante un accidente, la barra de enganche se dobla. Esta barra debe estar derecha (ilustrada en verde). Si la barra está doblada (ilustrada en rojo), la silla sufrió un accidente y se debe reemplazar.

**2. Barra trasera:** la barra trasera pasa por la parte trasera de la base. Durante un accidente, esta barra se dobla. Esta barra debe estar derecha (ilustrada en verde). Si la barra está doblada (ilustrada en rojo), la silla sufrió un accidente y se debe reemplazar.



## Cómo saber si la silla estuvo involucrada en un accidente

Primo Viaggio Convertible Kinetic puede soportar accidentes menores sin sufrir ningún daño. Si la silla de auto se vio involucrada en un accidente, es necesario determinar si es apropiada para seguir siendo utilizada. Primero, revise las cinco directrices que figuran a continuación y luego consulte la sección titulada "signos claros de que la silla de auto estuvo involucrada en un accidente".

¿Qué caracteriza a un accidente menor? Un accidente de menor importancia es aquel en el que se cumplen **TODAS** las siguientes situaciones:

- El vehículo pudo ser conducido fuera del lugar del accidente.
- La puerta del vehículo más cercana a la silla de auto no sufrió ningún daño.
- Ninguno de los pasajeros del vehículo sufrió heridas en el accidente.
- Los airbags del vehículo no se desplegaron durante el choque.
- No hay daños visibles en la silla de auto.

Si una de estas cinco situaciones no se cumple, es posible que la silla de auto esté dañada y no se debe utilizar. Si estas situaciones no se cumplen, consulte la siguiente sección para comprobar la presencia de daños ocultos.

### **Signos claros de que la silla de auto estuvo involucrada en un accidente.**

Peg Perego no aconseja la compra de sillas de auto usadas, puesto que no se conoce su historia. Una silla de auto puede haberse dañado durante un accidente automovilístico y es posible que no sea apropiada para seguir siendo utilizada después de un accidente. Primo Viaggio Convertible Kinetic tiene características de absorción de energía que reducen las fuerzas sobre el niño que la ocupa durante un accidente. Estas características sólo pueden absorber la energía una vez. Si una de estas características presenta algún daño como se indica a continuación, es necesario reemplazar la silla completa.

## Limpeza y mantenimiento

### MANTENIMIENTO DE LA GUATA

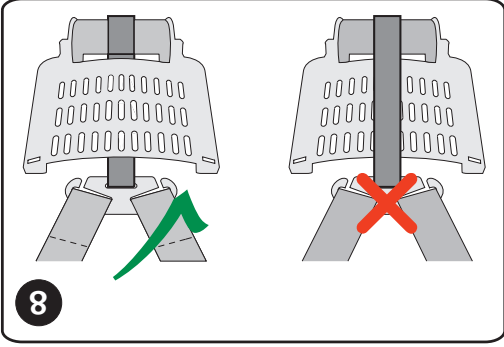
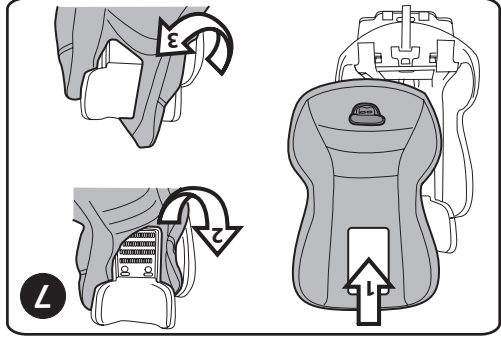
- Cepillar las partes de tejido para eliminar el polvo.
- Lavar en lavadora a una temperatura máxima de 90°F (30°C) con acción mecánica delicada y ciclo de centrifugado corto.
- No utilizar blanqueadores con cloro.
- No planchar.
- No limpiar en seco.
- No quitar las manchas con solventes.
- No secar en secadoras con tambor rotativo.



## Limpieza y mantenimiento

**7.** Cuando tenga que volver a ensamblar la funda, comience por el panel de la cabeza como se muestra en la secuencia. Luego, ponga la cubierta del panel de la cabeza. Saque las correas de los hombros por las ranuras en la parte inferior de la funda. Saque la correa de la entrepierna por la apertura de la funda. Ponga las correas de los hombros por el tapizado de la cabeza.

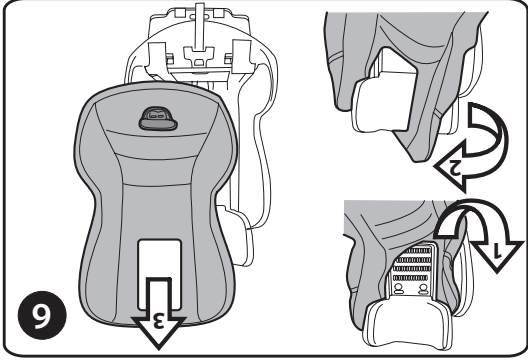
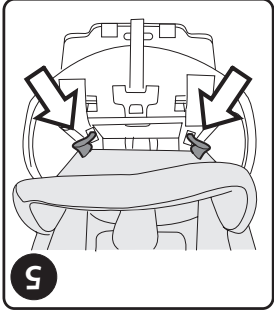
**8.** Conecte adecuadamente las correas de los hombros. Asegúrese de que el arnés esté conectado correctamente en la placa trasera. La correa de ajuste central debe pasar detrás de la carcasa de plástico, como se muestra.



## Limpeza y mantenimiento

**5.** Compruebe que el dispositivo de ajuste no tenga restos de comida ni residuos que puedan impedir su correcto funcionamiento.

**6.** Saque la gata de abajo hacia arriba, asegurándose de que el EPS blanco de las alas de impacto lateral no se doble ni se rompa en la operación.

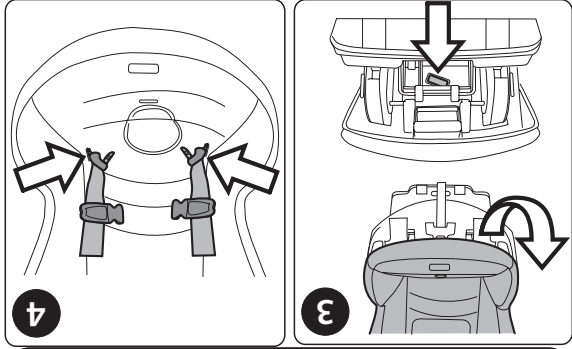
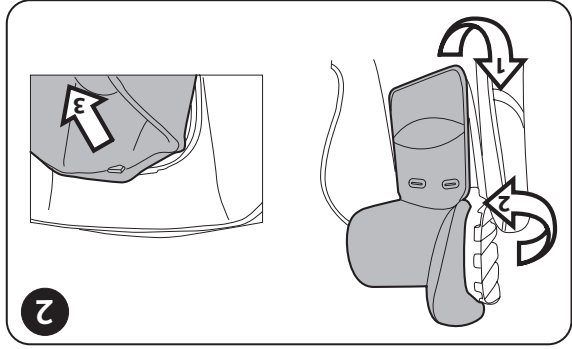


## Limpeza y mantenimiento

**2.** Extraiga la gata del panel de la cabeza siguiendo el procedimiento (1), luego el elemento de EPP con el elemento de EPP blanco.

**3.** Saque la parte inferior de la funda y extraígalas de la correa de la entrepierna. La parte de la entrepierna del arnés no necesita ser extraída.

**4.** Tire de la parte inferior de la funda hacia arriba, asegurándose de que las correas de los hombros salgan por las aperturas laterales.

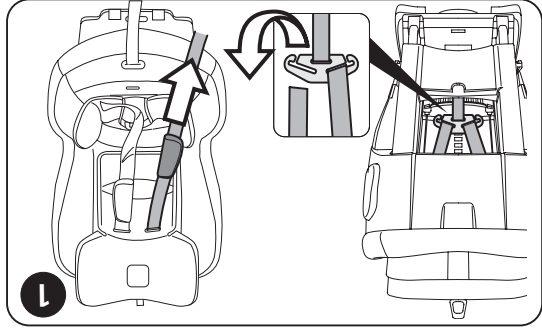




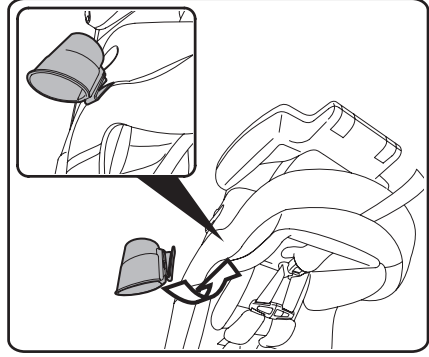
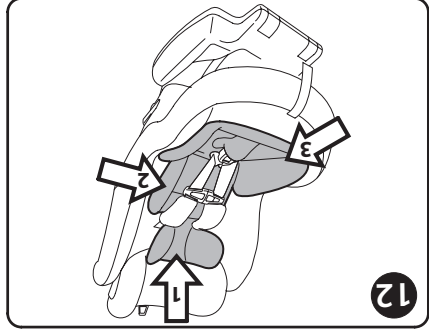
## Limpeza y mantenimiento

Este producto requiere un mínimo de limpieza y mantenimiento. No limpie la silla con productos irritantes o disolventes. Mantenga limpias las partes móviles. Limpie las partes plásticas con un paño húmedo. No utilice agua en el arnés ni en los mecanismos de enganche. Proteja el producto del frío extremo, el agua, la lluvia y la exposición solar. La exposición prolongada a estos elementos puede cambiar los colores del material y modificar sus propiedades mecánicas. Guarde el producto en una zona seca si no lo usa durante largos periodos. ¡Advertencial! No use ni compre la silla de auto 10 años después de la fecha de fabricación marcada en la etiqueta del asiento o la carcasa. La funda puede extraerse y limpiarse periódicamente. Siga el procedimiento a continuación para extraer la funda y volver a colocarla. Compruebe las características de la silla de auto antes de desmontarla y asegúrese de que las mismas sigan funcionando una vez que el producto esté instalado de nuevo. Debe tener especial cuidado cuando extrae la guata, para evitar romper los paneles blancos de EPS y EPP del producto.

1. Tire del panel de la cabeza hacia arriba. Suelte las correas del hombro de la placa de metal trasera en la parte trasera de la silla de auto. Gire el producto y tire de las correas desde las aperturas a la altura de los hombros.



## Asegurar a su bebé a la silla de auto



### Tri-Stage Cushion

12. Primo Viaggio Convertibile Kinetic se entrega con un cojín adaptador expresamente diseñado para los niños más pequeños. El cojín está compuesto por tres piezas diseñadas para obtener un mejor ajuste de las correas y mantener la cabeza correctamente ubicada entre las aletas laterales del panel para la cabeza. **Nota importante:** el Tri-Stage Cushion está diseñado para utilizarlo exclusivamente en el modo de orientación hacia atrás de la silla para auto. Se debe retirar cuando la silla se utiliza orientada hacia delante.

No utilice las piezas 1 y 2 con niños de un peso superior a 14 libras (6 kg). No use la pieza 3 con niños de un peso superior a 22 libras (10 kg).

### Portavasos

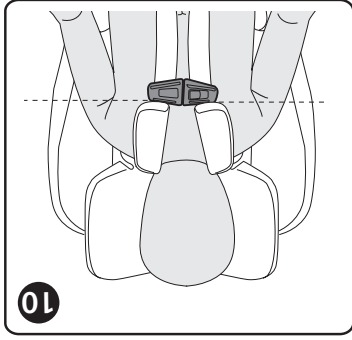
Coloque el portavasos en el lateral de la silla como se muestra en la figura.

## Asegurar a su bebé a la silla de auto

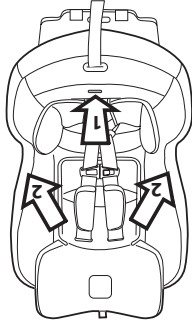
**10.** Cuando el arnés está ajustado, compruebe que el clip pectoral esté a la altura de la axila. Si es necesario, quite las almohadillas de los hombros (con Velcro), ya que no se consideran elementos de seguridad.

**¡Importante!** Una correa ajustada es una correa sin holguras. Descansa en línea recta, sin combaduras. No presiona el cuerpo de su hijo ni pone el cuerpo del bebé en una posición no natural.

**11.** Para aflojar el arnés, presione y sujete el botón del dispositivo de ajuste del mismo dentro de la ranura ubicada a los pies de su bebé (1) y tire del arnés superior (2) como se muestra en la imagen.  
Para abrir los pasadores, presione el botón rojo y saque los enganches por arriba.



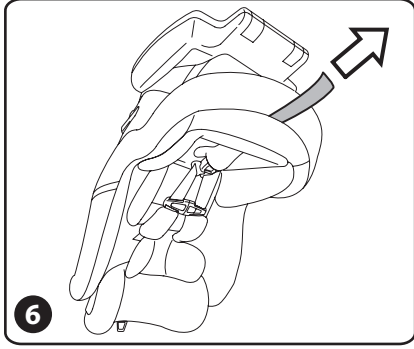
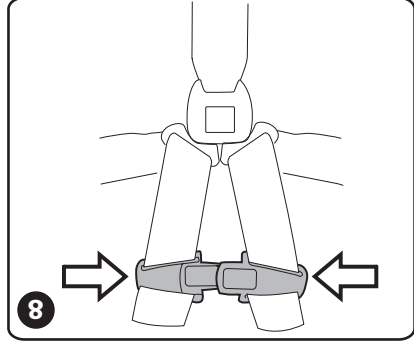
11



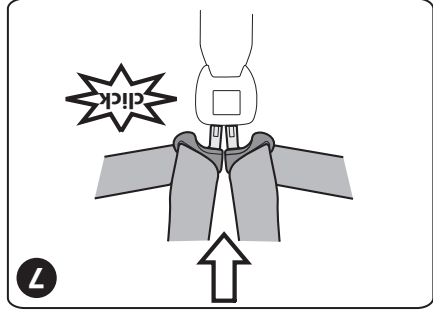
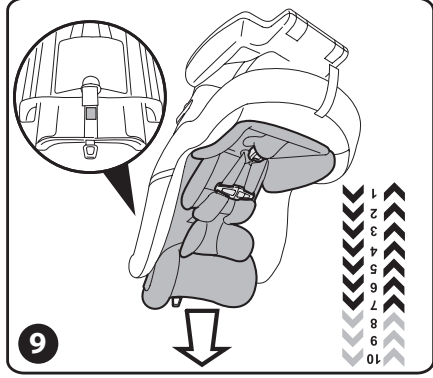
## Asegurar a su bebé a la silla de auto

**8.** El arnés está equipado con un clip pectoral. Este dispositivo se utiliza para garantizar que el arnés del hombro esté correctamente ubicado sobre el hombro, evitando el riesgo de que las correas caigan de un hombro en un accidente. Para cerrar el clip pectoral, presione juntas las dos partes, como se muestra.

**9.** Para tensar el arnés, tire de la correa de ajuste en la parte inferior del asiento hasta que esté apretado. Deje el ancho de un dedo entre el arnés y la clavícula de su bebé.



## Asegurar a su bebé a la silla de auto



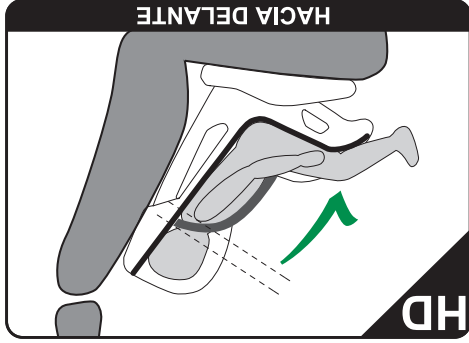
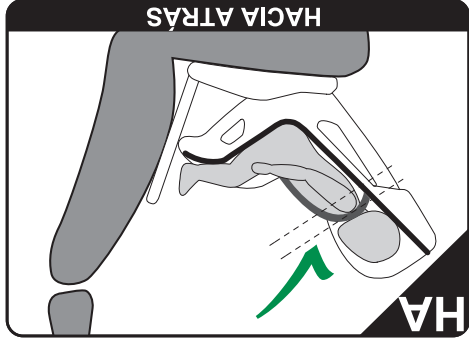
**6.** Para ajustar el nivel de la correa del hombro, de abajo hacia arriba, tire de la anilla situada en la parte superior del reposacabezas hasta que el panel se desacople y se pueda mover. Una vez que obtenga la posición deseada, asegúrese de que el panel esté correctamente acoplado.

Para ajustar el nivel de la correa del hombro de arriba hacia abajo, tire de la anilla con una mano y empuje el panel hacia abajo con la otra al mismo tiempo. Compruebe que el panel esté acoplado correctamente.

**Nota:** las 7 posiciones del panel de la cabeza inferiores se pueden utilizar en la orientación hacia atrás. Las posiciones 8, 9 y 10 sólo se deben utilizar en orientación hacia delante. Controle la altura máxima del panel de la cabeza en la orientación hacia atrás detrás del asiento (el detalle se ve en la figura 6).

**7.** Introduzca ambos pasadores en la hebilla hasta oír un clic. Tire de las correas para asegurarse de que ambos anclajes estén correctamente conectados.

## Asegurar a su bebé a la silla de auto



**4.** Coloque al bebé en la silla de auto con la espalda y la espalda bien pegadas a la silla de auto. Lleve las dos correas de los hombros a los hombros de su bebé. Asegúrese de que las correas no queden retorcidas detrás del respaldo ni sobre el pecho del bebé. Compruebe que el arnés esté a la altura correcta de los hombros. Cuando la silla de auto se utiliza con orientación hacia atrás, la posición correcta de los hombros es cuando la ranura de los cinturones está en o por debajo del nivel del hombro, como se muestra en la ilustración.

**5.** Cuando la silla de auto se utiliza con orientación hacia delante, la posición correcta de los hombros es cuando la ranura de los cinturones está en o sobre el nivel de los hombros, como se muestra en la ilustración.

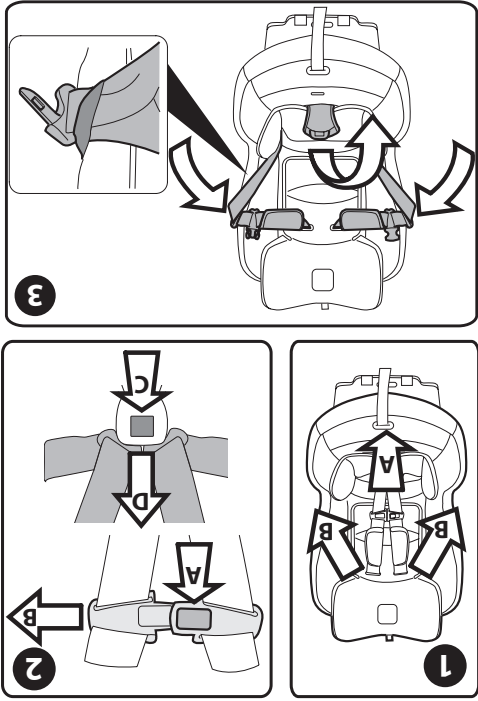
## Asegurar a su bebé a la silla de auto

### USO Y AJUSTE DE LAS CORREAS

1. Esta silla de auto utiliza un sistema de arneses de 5 puntos para asegurar a su bebé. Antes de colocar al bebé en la silla, presione el botón (A) de apertura y tire de la correa de los hombros (B) como se muestra en la imagen.

2. Abra la hebilla presionando el botón rojo (C) y tirando hacia arriba los pasadores (D) como se muestra en la imagen. Abra el clip pectoral siguiendo el procedimiento que se muestra en la imagen (A y B).

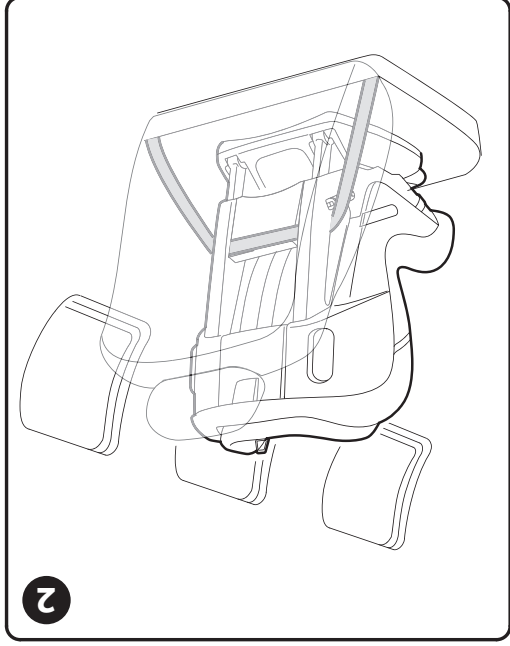
3. Inserte las lengüetas de la hebilla en las bandas laterales y tire de la parte de la entrepierna del arnés hacia delante para hacer sitio a su bebé. Asegúrese de que el asiento esté libre de correas y otros objetos.



## Instalación de la silla en un avión

**2.** Instalación con orientación hacia delante:  
por favor consulte la página 38 para la  
correcta instalación.  
No es necesario usar clips de bloqueo.

Tras la instalación, asegúrese de que la silla  
esté nivelada adecuadamente y segura en  
asiento del avión. Si necesita ayuda, contacte  
con el personal de cabina.





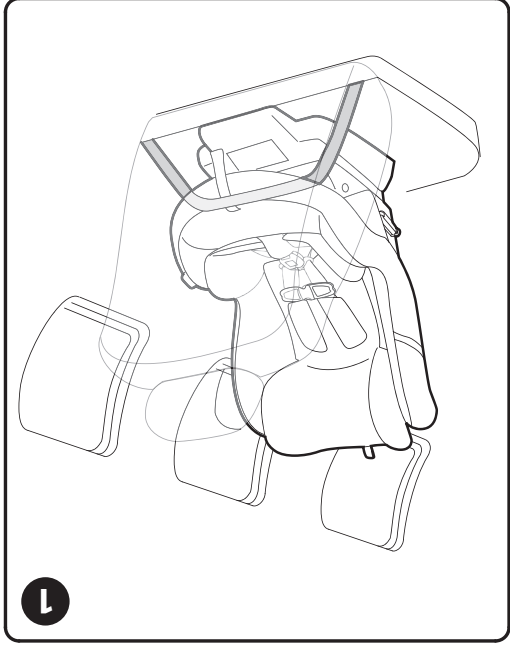
## Instalación de la silla en un avión

Esta silla de auto está certificada para utilizarla en un avión. La mayoría de aerolíneas deberían permitir el empleo de una silla de auto autorizada para el uso de acuerdo con las normas FAA.

Sin embargo, debido al tamaño y peso de Primo Viaggio Convertible Kinetic, recomendamos contactar con la compañía aérea para obtener información antes de reservar su vuelo o de volar.

Los cinturones de los aviones son de cadera (Tipo I).

**1.** Instalación con orientación hacia atrás: por favor consulte la página 37 para la correcta instalación.



## Instalación de su silla de auto en un vehículo – Orientación hacia adelante

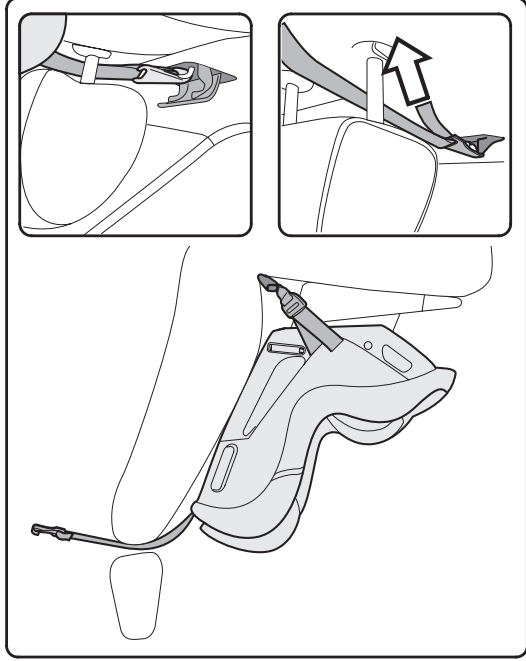
### USO DEL ENGANCHE EN LA ORIENTACIÓN HACIA DELANTE

Peg Perego siempre recomienda el uso del enganche superior. Este impide una rotación excesiva de la silla como consecuencia de un accidente. Además, reduce el riesgo de que el niño golpee contra los objetos que se encuentran delante de él.

Retire el gancho del enganche del estuche trasero (página 27).

Coloque el gancho del enganche en el anclaje correspondiente y tire de la correa libre hasta que el enganche quede completamente tenso y carezca de holguras. Las figuras muestran el anclaje del enganche presente en la bandeja trasera del vehículo.

Las posiciones alternativas del enganche se ilustran en la página 26.



## Instalación de su silla de auto en un vehículo – Orientación hacia delante

**4.** Cierre el cinturón del vehículo y compruebe que el mismo no tenga enredos.

**5.** Empuje la silla firmemente contra el asiento del vehículo (A) y tire el cinturón (B) para asegurar la silla, eliminando holguras.

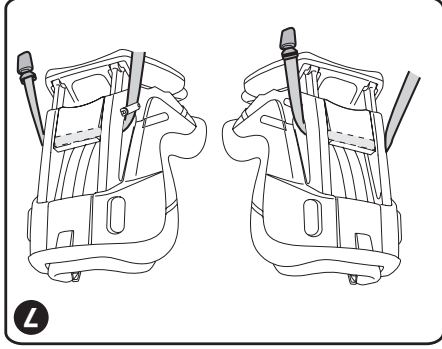
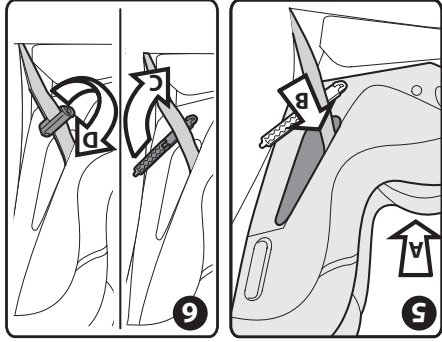
**6.** Asegúrese de que el cinturón pase a través de los clips de bloqueo abiertos, y luego ciérrelos de ambos lados siguiendo el procedimiento mostrado en la imagen (C y D).

**7.** La imagen muestra el patrón correcto del cinturón cuando el producto está instalado con orientación hacia delante usando un cinturón de cadera.

Verifique que la silla esté fija. Una silla fija no se moverá más de una pulgada (2.5 cm) de los anclajes del cinturón de seguridad.

**Nota importante:** los clips de bloqueo situados del lado de la silla Convertible se utilizan para mejorar la estabilidad durante el uso normal. Los bloqueos no están diseñados para reemplazar un retractor de bloqueo automático ni un pasador de bloqueo.

-45-



## Instalación de su silla de auto en un vehículo – Orientación hacia adelante

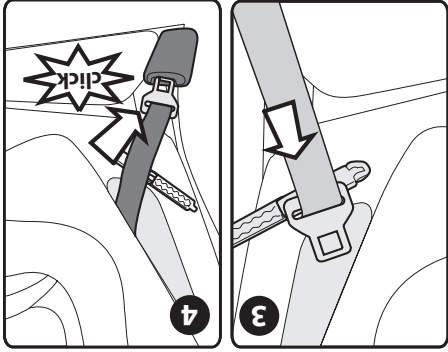
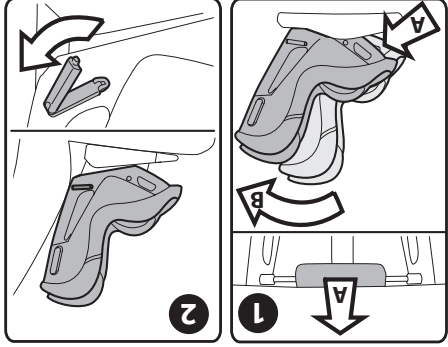
**¡Importante!** Con la orientación hacia adelante, quite el cojín para recién nacidos (consultar la página 54). **¡IMPORTANTE!** compruebe que la Anti-Rebound Bar para auto orientada hacia adelante como se muestra en la página 31.

### ORIENTACIÓN HACIA DELANTE USANDO EL CINTURÓN DE SEGURIDAD DE CADERA (TIPO I)

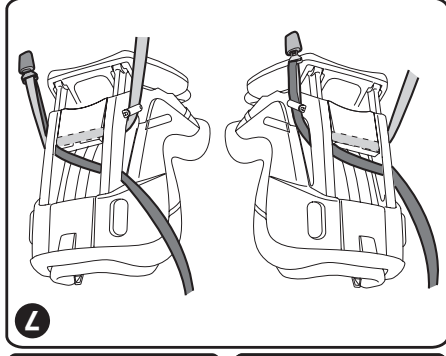
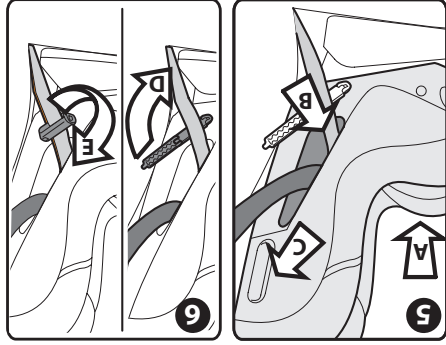
1. Antes de instalar la silla en el vehículo, asegúrese de que el respaldo esté vertical o ajústelo usando la manija ubicada debajo del borde frontal de la

carcasa (A), como se muestra.  
2. Apoye la silla vertical, sin ocupar, en el asiento seleccionado del vehículo. Asegúrese de que las correas LATCH estén guardadas en su sitio (página 40 – imagen 1) y que las aperturas traseras de la estructura estén libres y listas para usar. Abra los clips de bloqueo como se muestra en la imagen.

3. Extraiga todo el cinturón del vehículo e introduzcalo a través de las aperturas en la estructura detrás de la silla de auto como se muestra en la imagen.



## Instalación de su silla de auto en un vehículo – Orientación hacia delante



5. Empuje la silla de auto firmemente contra el asiento del vehículo y tire del cinturón de seguridad para eliminar holguras. Mientras empuja hacia abajo la silla (A), tire de la parte abdominal del cinturón desde el punto fijo hacia la hebilla (B). Luego, tire de la parte diagonal del cinturón (C).
6. Cierre los clips de bloqueo siguiendo el procedimiento indicado en la figura (D y E). Asegúrese de que sólo la parte abdominal del cinturón pase a través de los clips de bloqueo abiertos del lado donde la correa diagonal sube hasta el retractor (figura 6).
7. Abra los clips del bloqueo en la hebilla. Compruebe que, tanto la correa abdominal como la diagonal, pasen por el bloqueo cercano de la hebilla. Cierre los clips de bloqueo siguiendo el procedimiento indicado en la figura 6 (D y E). Verifique que la silla esté fija. Una silla fija no se moverá más de una pulgada (2.5 cm) del anclaje del cinturón de seguridad.

**Nota importante:** los clips de bloqueo situados del lado de la silla Convertible se utilizan para mejorar la estabilidad durante el uso normal. Los bloqueos no están diseñados para reemplazar un retractor de bloqueo automático ni un pasador de bloqueo.

## Instalación de su silla de auto en un vehículo – Orientación hacia adelante

**¡Importante!** Con la orientación hacia adelante, elimine el cojín para recién nacidos (consultar la página 54).  
**¡IMPORTANTE!** compruebe que la barra anti-rebote esté correctamente guardada cuando utilice la silla para auto orientada hacia adelante como se muestra en la página 31.

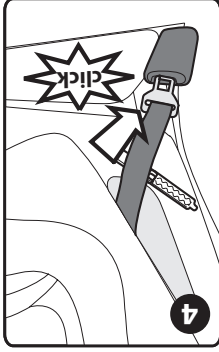
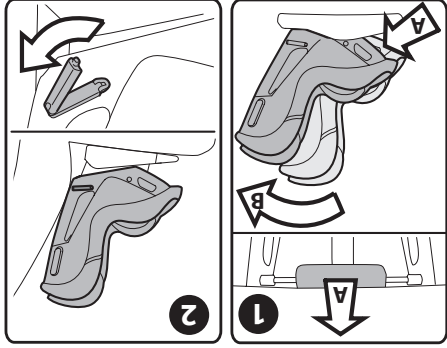
### ORIENTACIÓN HACIA DELANTE USANDO EL CINTURÓN DE SEGURIDAD ABDOMINAL/DIAGONAL (TIPO II)

1. Antes de instalar la silla, asegúrese de que el respaldo esté vertical o ajústelo usando la manija ubicada debajo del borde frontal de la carcasa (A), como se muestra.

2. Apoye la silla vertical, sin ocupar, en el asiento seleccionado del vehículo. Asegúrese de que las correas LATCH estén guardadas en su sitio (página 40 – imagen 1) y que las aperturas traseras de la estructura estén libres y listas para usar. Abra los clips de bloqueo de ambos lados como se muestra en la imagen.

3. Tire del cinturón de seguridad hasta extraerlo por completo e introduzca la parte abdominal y la diagonal del cinturón a través de las aperturas en la estructura de la silla de auto, como se muestra en la imagen.  
4. Cierre el cinturón del vehículo y compruebe que esté insertado en las aperturas, sin enredos.

- 42 -



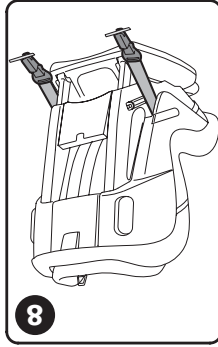
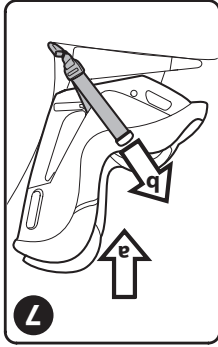
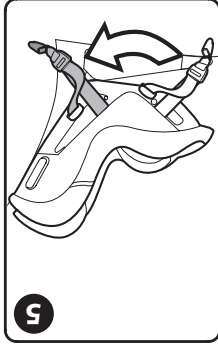
## Instalación de su silla de auto en un vehículo – Orientación hacia adelante

**5.** Tome cada correa LATCH de delante hacia atrás deslizándola las correas por su conducto.  
**6.** Conecte los conectores inferiores en los anclajes inferiores de su vehículo, ubicados en la línea de unión entre el asiento y el respaldo. Consulte el manual de instrucciones de su vehículo para saber cuál es el mejor lugar para su silla de auto.

Quando las correas LATCH estén conectadas en los anclajes inferiores se oirá un “click”. Si no es así, repita la operación y vuelva a comprobar que las correas LATCH estén conectadas y funcionen intentando separar el conector inferior del anclaje inferior.

**7.** Empuje el dispositivo (A) hacia el asiento con el peso de su cuerpo y, al mismo tiempo, tire de los extremos (B) para tensar las correas. Compruebe que los conectores estén tensados uniformemente y que la silla no esté inclinada hacia los lados.  
**8.** La imagen muestra el recorrido correcto de las correas cuando el asiento está instalado en el vehículo usando los conectores LATCH.

Verifique que la silla de auto no se mueva mas de 1 pulgada (2,5 cm) cerca del anclaje de pestillo.  
**No instale con este método niños que pesen mas de 45 libras.**



## Instalación de su silla de auto en un vehículo – Orientación hacia adelante

**¡Importante!** Con la orientación hacia adelante, quite el cojín para recién nacidos (consultar la página 54).

¡IMPORTANTE! compruebe que la barra anti-rebote esté correctamente guardada cuando utilice la silla para auto orientada hacia adelante como se muestra en la página 31.

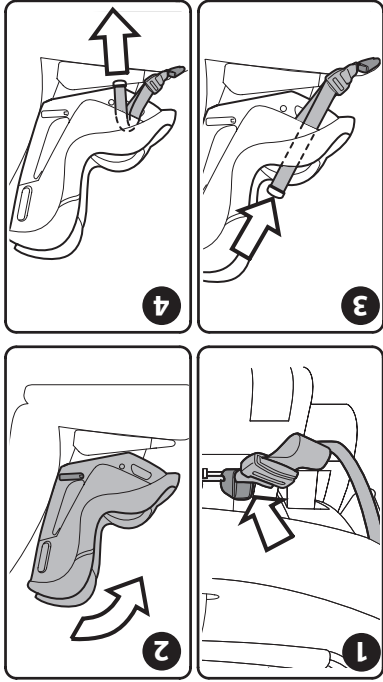
### ORIENTACIÓN HACIA DELANTE USANDO EL SISTEMA LATCH

1. Recline el dispositivo tirando de la manija ubicada debajo del borde frontal de la carcasa como se muestra. Desconecte las correas de la barra de almacenamiento presionando el botón rojo y tirando de las correas al mismo tiempo.

2. Tire de la manija y mueva la silla de auto hasta una posición vertical. Debería oír un "clic" cuando esté colocado en posición vertical. Apoye la silla de auto en el asiento del vehículo asegurándose de que los clips de bloqueo estén cerrados. Tome la correa LATCH de delante hacia atrás deslizando las correas por su conducto.

3. Haga pasar el extremo libre de la correa del enganche por la carcasa.

4. Compruebe que el extremo del enganche con la anilla en "D" esté fuera de la carcasa y tenga libertad de movimiento.





## Instalación de su silla de auto en un vehículo – Orientación hacia atrás

**4.** Cierre el cinturón del vehículo y compruebe que las partes del cinturón estén insertadas debajo de la correa de ajuste y sin enredos.

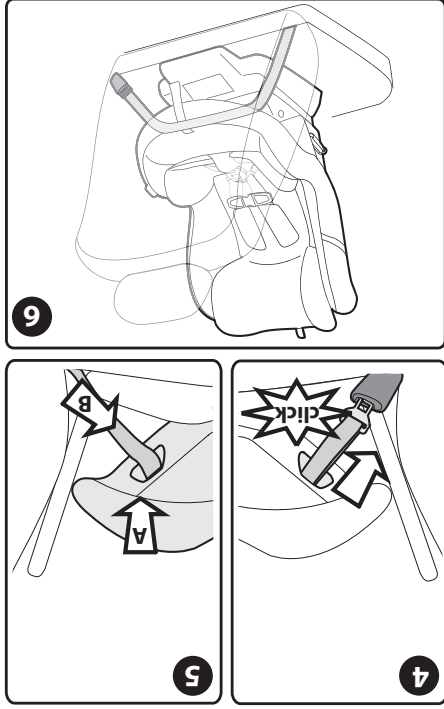
**5.** Empuje la silla firmemente contra el asiento del vehículo (A) y tire del cinturón (B) para asegurar la silla lo máximo posible, eliminando holguras.

**6.** La imagen muestra el recorrido correcto del cinturón cuando el asiento está instalado en el vehículo usando el cinturón de cadera.

Una vez que la instalación esté completa, compruebe que el asiento esté nivelado correctamente, según se indica en la página 30.

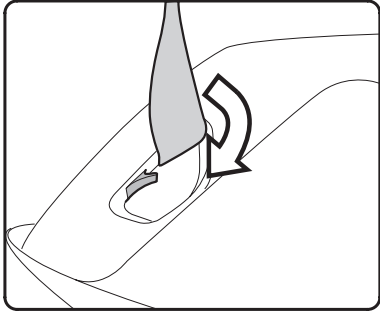
Verifique que la silla esté fija. Una silla fija no se moverá más de una pulgada (2.5 cm) de los anclajes del cinturón de seguridad.

- 39 -



## Instalación de su silla de auto en un vehículo – Orientación hacia atrás

**IMPORTANTE:** controle el interior de las aperturas de la estructura; compruebe que el cinturón esté colocado como se muestra en la imagen.



## Instalación de su silla de auto en un vehículo – Orientación hacia atrás

### ORIENTACIÓN HACIA ATRÁS USANDO EL CINTURÓN

#### DE SEGURIDAD DE CADERA (TIPO I)

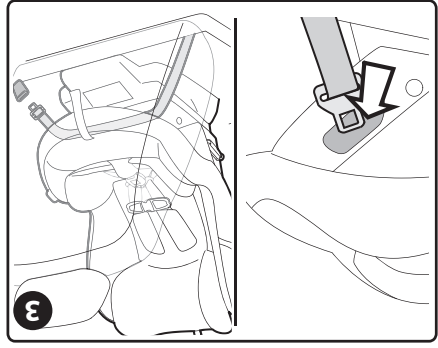
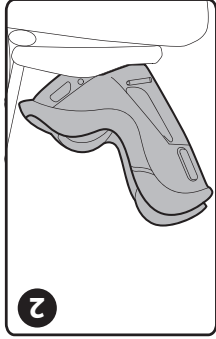
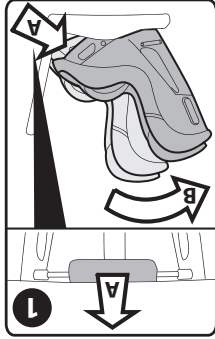
1. Recline la silla de auto en la posición orientada hacia atrás como se muestra en la imagen. Para reclinar el asiento, tire de la manija ubicada debajo del borde frontal de la carcasa (A), como se muestra. Se oirá un "clik" cuando la silla esté correctamente colocada en su posición.

**Nota:** para facilitar el ajuste, alce ligeramente la parte trasera de la silla con su mano libre, para reducir el peso sobre el mecanismo.

2. Apoye la silla reclinada, sin ocupar, en el asiento seleccionado del vehículo.

3. Extraiga todo el cinturón del vehículo e introdúzcalo a través de las aperturas bajo la zona del asiento, como se muestra en la imagen.

**Nota:** para facilitar la introducción, lleve hacia delante el asiento a 45 grados, introduzca el pasador en la primera apertura, hágalo pasar hacia la parte delantera del asiento e introdúzcalo en la segunda apertura.



## Instalación de su silla de auto en un vehículo – Orientación hacia atrás

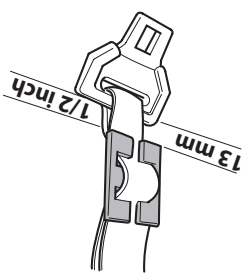
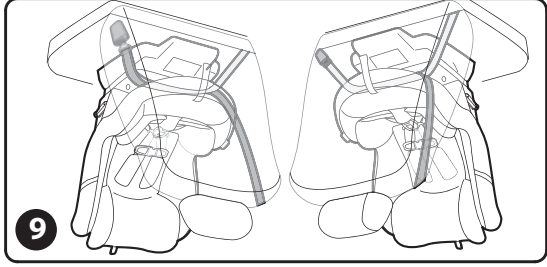
**6.** La imagen muestra el recorrido correcto del cinturón cuando la silla de auto está instalada en el vehículo usando el cinturón abdominal/diagonal. Asegúrese de que la silla esté totalmente nivelada como se describe en la página 29.

Verifique que la silla esté fija. Una silla fija no se moverá más de una pulgada (2.5 cm) de los anclajes del cinturón de seguridad.

### USO DE UN CLIP DE BLOQUEO

Si el cinturón de seguridad de su vehículo necesita un clip de bloqueo, se puede comprar uno estándar en las tiendas específicas o solicitar al Servicio de Asistencia al Cliente de Peg Peregó. Para instalar el clip de bloqueo, sujete juntos el cinturón abdominal y el diagonal justo por encima de la hebilla. Desabroche el cinturón mientras sujeta las correas. Enganche el clip de bloqueo en torno a las dos correas como se muestra en la figura. Deje un espacio de ½ pulgada entre el clip y la correa. Abroche nuevamente el cinturón.

- 36 -



## Instalación de su silla de auto en un vehículo – Orientación hacia atrás

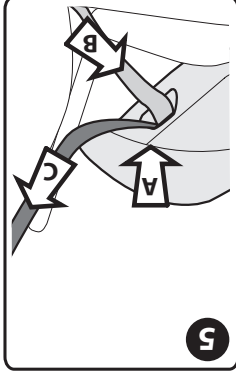
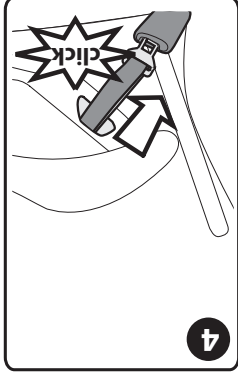
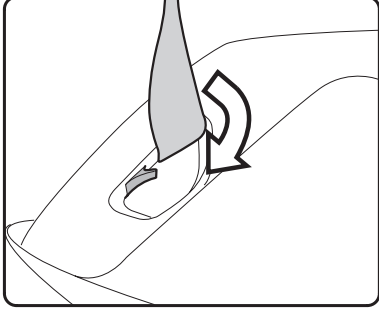
**IMPORTANTE:** controle el interior de las aperturas de la cadera; compruebe que la parte de la cadera del cinturón se encuentre como se muestra en la imagen.

**4.** Cierre el cinturón del vehículo y compruebe debajo del asiento que la correa de ajuste no esté enredada con el cinturón de seguridad del

vehículo.

**5.** Empuje la silla firmemente contra el asiento del vehículo y tire el cinturón para eliminar holguras. Siga el procedimiento mostrado en la imagen, asegurándose de que mientras la silla se empuja hacia abajo (A), la parte de la cadera del cinturón salga desde el punto fijo hacia el cierre (B). Luego, saque la parte diagonal del cinturón (C).

- 35 -



## Instalación de su silla de auto en un vehículo – Orientación hacia atrás

### ORIENTACIÓN HACIA ATRÁS USANDO EL CINTURÓN DE SEGURIDAD ABDOMINAL/ DIAGONAL (TIPO II)

1. Recline la silla de auto en la posición orientada hacia atrás como se muestra en la imagen. Para reclinar el dispositivo, tire de la manija ubicada debajo del borde frontal de la carcasa (A) como se muestra. Se oirá un "clik" cuando la silla esté correctamente colocada en su posición.

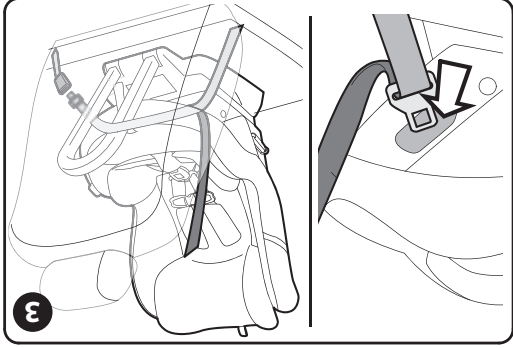
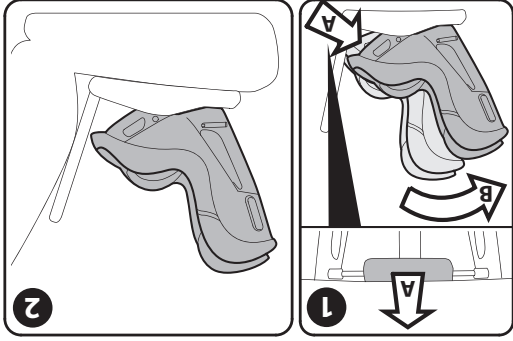
**Nota:** para facilitar el ajuste, aice ligeramente la parte trasera de la silla con su mano libre, para reducir el peso sobre el mecanismo.

2. Apoye la silla reclinada, sin ocupar, en el asiento seleccionado del vehículo.

3. Tire del cinturón de seguridad hasta extraerlo por completo e introduzca la parte de la cadera y del hombro del cinturón a través de las aperturas debajo del área del asiento como se muestra en la imagen.

**Nota:** para facilitar la introducción, lleve hacia delante el asiento a 45 grados, introduzca el pasador en la primera apertura, hágalo pasar hacia la parte delantera del asiento e introduzca en la segunda apertura.

- 34 -

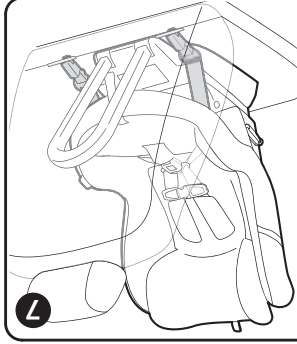
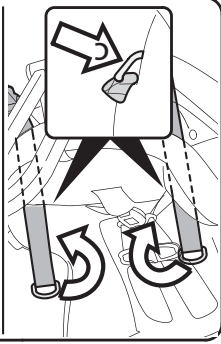
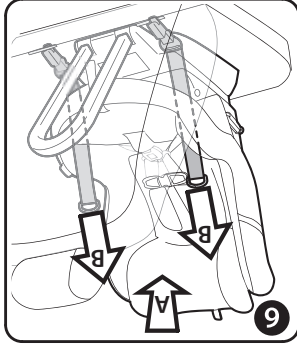


## Instalación de su silla de auto en un vehículo - Orientación hacia atrás

**5.** Asegure los conectores inferiores en los anclajes inferiores de su vehículo ubicados en la línea de unión entre el asiento y el respaldo. Consulte el manual de instrucciones de su vehículo para saber cuál es el mejor lugar para su silla de auto. Cuando las correas LATCH están conectadas a los anclajes inferiores se oye un "click". Si no es así, repita la operación y vuelva a comprobar que las correas LATCH estén conectadas y funcionen intentando separar los conectores inferiores de los anclajes inferiores. **6.** Empuje la silla de auto (A) sobre el asiento con el peso de su cuerpo y, al mismo tiempo, tire de los extremos para tensar las correas (B). Compruebe que los conectores estén tensados uniformemente y que la silla no esté inclinada hacia los lados.

**7.** La imagen muestra el recorrido correcto de las correas cuando el asiento está instalado en el vehículo usando los conectores LATCH.

Asegúrese de que la silla esté nivelada correctamente como se explica en la página 29. Verifique que la silla de auto no se mueva mas de 1 pulgada (2,5 cm) cerca del anclaje de pestillo. No instale con este método niños que pesen mas de 40 libras.



## Instalación de su silla de auto en un vehículo - Orientación hacia atrás



### ORIENTACIÓN HACIA ATRÁS USANDO EL SISTEMA LATCH

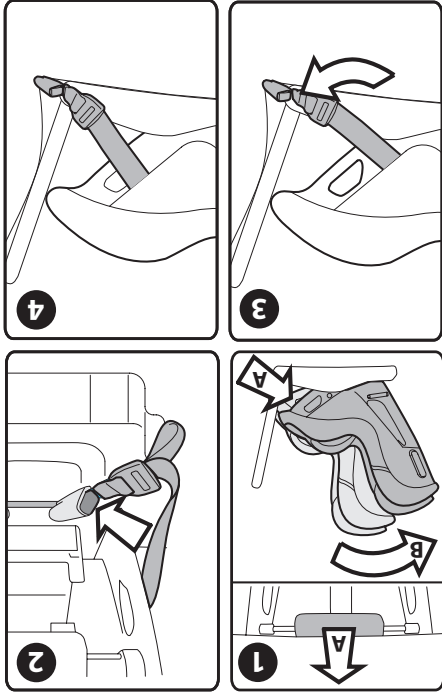
1. Recline la silla de auto en la posición orientada hacia atrás como se muestra en la imagen. Para reclinar la silla, tire de la manija ubicada debajo del borde frontal de la carcasa (A), como se muestra. Se oirá un "clic" cuando la silla esté correctamente colocada en su posición. Extienda la ARB como se explicó en el punto anterior.

**Nota:** para facilitar el ajuste, alce ligeramente la parte trasera de la silla con su mano libre, para reducir el peso sobre el mecanismo.

2. Desconecte las correas de la barra de almacenamiento presionando el botón rojo y tirando de las correas al mismo tiempo.

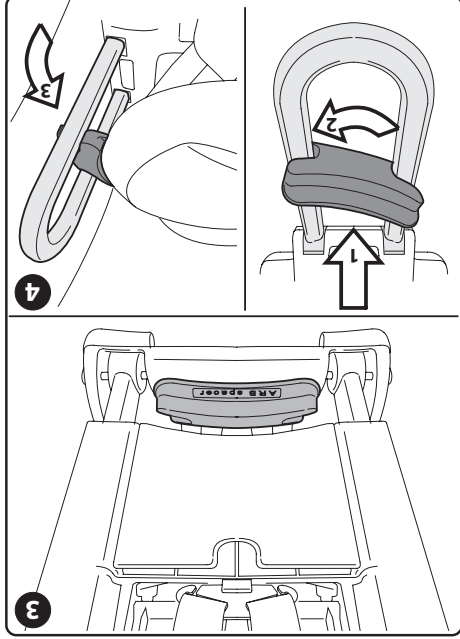
3. Deslice las correas hacia la parte delantera de la silla. Compruebe que las correas no estén al revés.

4. Apoye la silla reclinada, sin ocupar, en el asiento del auto seleccionado en orientación hacia atrás, asegurándose de que la parte frontal de la silla toque el respaldo del asiento del vehículo.





## ARB Spacer



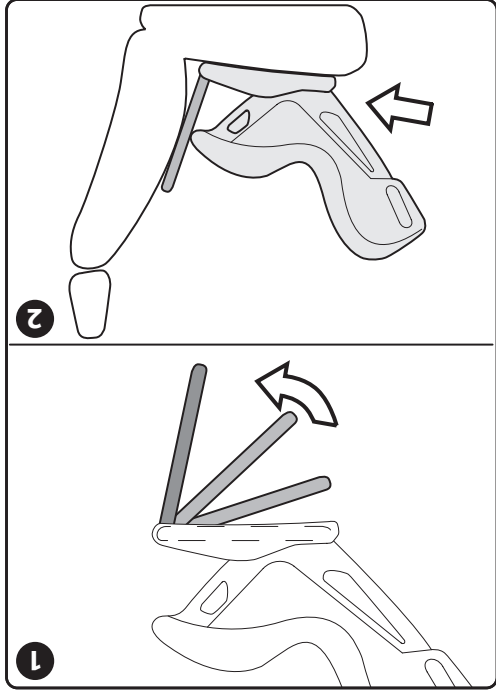
**3.** Para aumentar el espacio para las piernas de los pasajeros, se entrega un separador para utilizar junto con la anti-rebound bar. El ARB Spacer se encuentra en la parte trasera de la base de la silla para auto, como se ve en la figura.

Desengánchelo de la base para utilizarlo. Cuando no lo utilice, engánchelo otra vez en la base.

**4.** Enganche el ARB Spacer en la anti-rebound bar como se ve en la figura, y compruebe que se encuentre entre el ARB Spacer y la carcasa.

**IMPORTANTE:** cuando guarde el ARB en su compartimento, haga más que el separador se retire y reposicione en su alojamiento.

## Barra anti-rebote (ARB)



La Barra anti rebote (ARB) es un elemento de seguridad adicional de la silla para auto. Normalmente está guardada debajo de la base y se debe utilizar exclusivamente con la silla orientada hacia atrás.

El uso de la anti-rebound bar no es obligatorio; sin embargo, su uso aumenta la estabilidad de la silla y protege al niño en caso de un impacto trasero, o de rebote después de un impacto frontal.

1. Desenganche la anti-rebound bar presente debajo del asiento y gírela hasta oír un "clic" que indica que llegó a su posición de uso, como se ve en la figura.

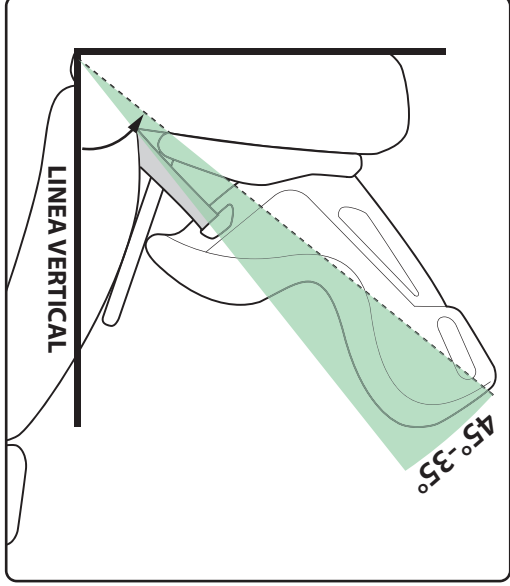
2. Apoye la silla reclinada, vacía, en el asiento de vehículo seleccionado, comprobando que la parte delantera de la anti-rebound bar toque el respaldo del asiento del vehículo.

## Instalación de su silla de auto en un vehículo - Orientación hacia atrás

### NIVELACIÓN CORRECTA CON LA SILLA DE AUTO ORIENTADA HACIA ATRÁS.

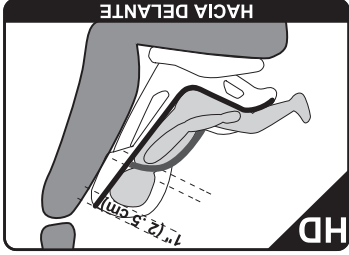
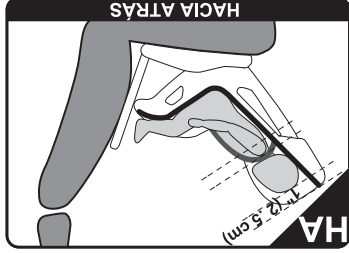
Cuando está instalada de acuerdo con las siguientes secciones, una silla de auto orientada hacia atrás debería hacer que el respaldo tuviera un ángulo de 35° - 45° desde la posición vertical. Si no es posible conseguir dicho ángulo, utilice una toalla enrollada o un rulo de piscina para reclinar aún más el asiento. Utilice la línea dibujada en el producto como referencia. Cuando la línea es horizontal, el ángulo del respaldo estará a 45° con la vertical. NOTA: asegúrese de que el ángulo no supere los 45° con la vertical.

**¡Importante!** Los bebés recién nacidos deben estar reclinados correctamente. Si la silla se reclina demasiado, su bebé podría ser expulsado del asiento en caso de accidente. Si está demasiado vertical, podría causar problemas de respiración.



## Instalación de su silla de auto en un vehículo - Orientación hacia atrás

- Utilice la silla orientada hacia delante si la cabeza no está a más de una pulgada encima del borde del reposacabezas.
- La posición correcta de los hombros es cuando las ranuras de los cinturones se encuentran apenas por encima del nivel de los hombros, como se muestra en la ilustración.



## GRUPO DE PESO Y DIMENSIÓN

### ORIENTACIÓN HACIA ATRÁS

- Utilice la orientación hacia atrás con el cinturón de seguridad del vehículo, con niños que pesen entre 5 y 45 libras (2,3 - 20,4 kg) y, con el sistema Latch, con niños que pesen entre 5 y 40 libras (2,3 - 18,2 kg).

- Utilice la silla orientada hacia atrás si la cabeza llega por lo menos a una pulgada bajo el borde del reposacabezas.

- La posición correcta de los hombros es cuando la ranura de los cinturones está en o por debajo del nivel del hombro, como se muestra en la

ilustración.

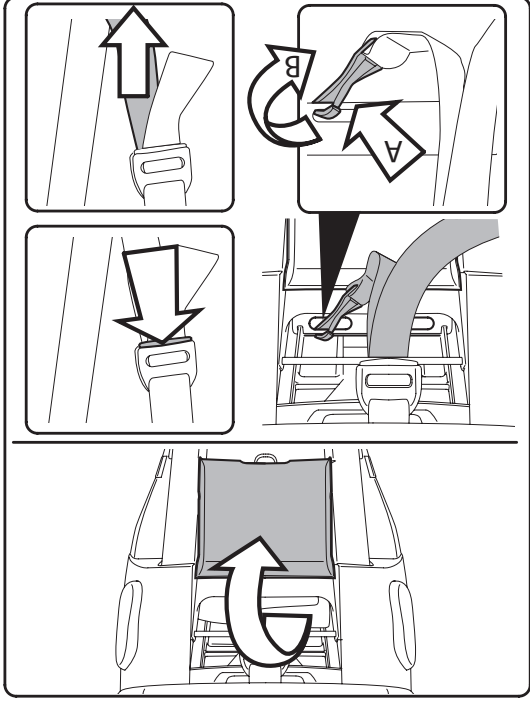
**Nota:** las 7 posiciones del panel de la cabeza inferiores se pueden utilizar en la orientación hacia atrás. Las posiciones 8, 9 y 10 sólo se deben utilizar en la orientación hacia delante. Consulte la página 51 para el ajuste del panel de la cabeza.

### ORIENTACIÓN HACIA DELANTE

- Utilice la orientación hacia delante con el cinturón de seguridad del vehículo con niños que pesen entre 22 y 65 libras (10 - 29,5 kg) y, con el sistema Latch, con niños que pesen entre 22 y 45 libras (10 - 20,4 kg).

## Instalación de su silla de auto en un vehículo

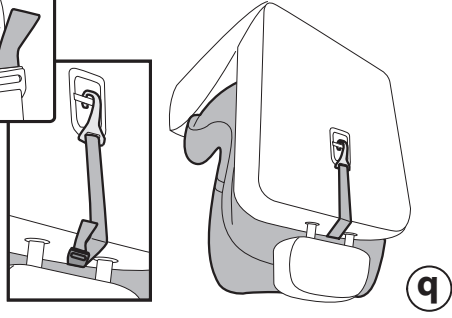
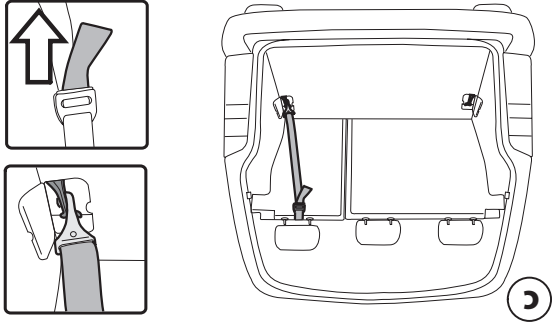
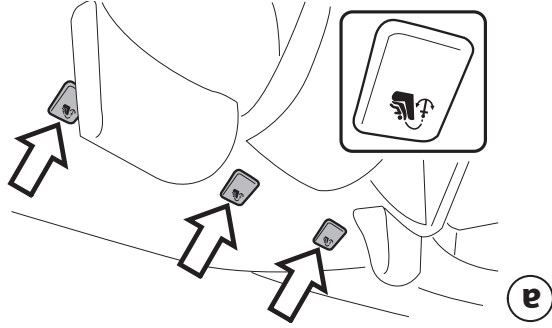
Para utilizar el enganche, abra el estuche de plástico, suelte el gancho de su acoplamiento trasero y pulse el botón del dispositivo de ajuste para extender la correa según las necesidades. Cuando no esté en uso, mantenga el enganche en el estuche de plástico. Una pieza de metal suelta puede provocar lesiones en caso de accidente.



## Instalación de su silla de auto en un vehículo

Por lo común, los anclajes para el enganche superior se encuentran en la bandeja trasera de los automóviles de cuatro puertas (a), en la parte trasera del respaldo del asiento de los monovolúmenes (b), en el compartimento trasero de los SUV y de otros vehículos (c).

Para identificar los puntos correctos consulte el manual del automóvil.



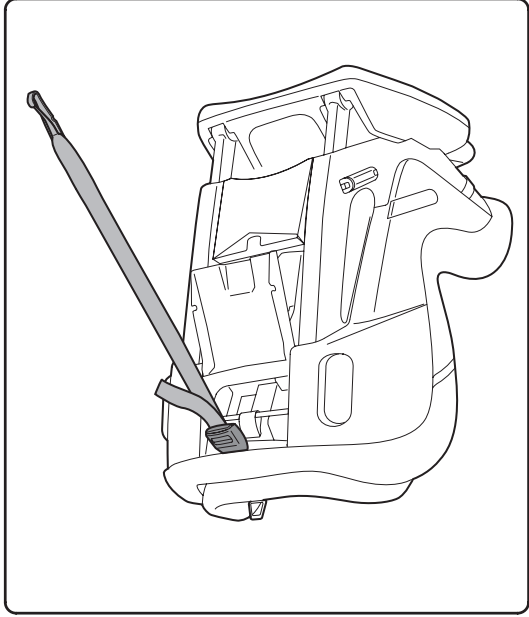
## Instalación de su silla de auto en un vehículo

**ENGANCHE SUPERIOR:** el enganche superior es una correa adicional fijada en la parte superior de la carcasa de Primo Viaggio Convertible kinetic, equipada con un gancho y un dispositivo de ajuste.

Peg Perego siempre recomienda el uso del enganche superior. Se trata de un dispositivo diseñado para mejorar la estabilidad durante el uso normal y para aumentar la seguridad en caso de accidente.

El enganche superior se debe conectar en los puntos de anclaje apropiados presentes en el vehículo. No fije el enganche de Primo Viaggio Convertible kinetic en puntos de anclaje del vehículo que no estén diseñados como punto de anclaje para una silla de auto, ya que la consecuencia podría ser un fallo durante un accidente.

**¡Importante!** el peso máximo del niño para el uso del enganche superior es de 65 libras (29,5 kg).



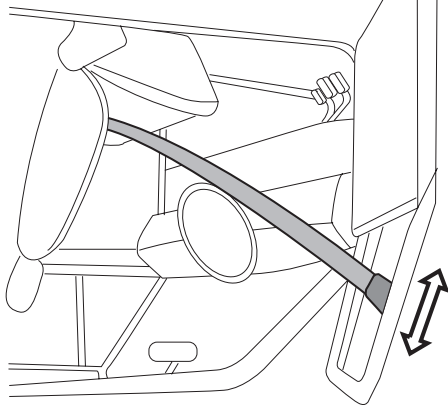
## Instalación de su silla de auto en un vehículo

CINTURONES  
DE  
COMPATIBLES

NO SEGURIDAD

**ADVERTENCIA:** no utilice Primo Viaggio Convertible Kinetic con los siguientes diseños de cinturón de seguridad:

1. Cinturones de seguridad de cadera/hombro motorizados. Cinturones de seguridad montados en la puerta.

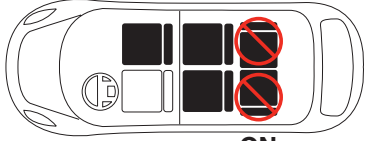


2. Asientos orientados hacia los costados.



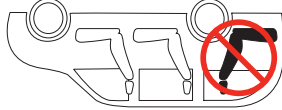
NO

3. Asientos orientados hacia atrás

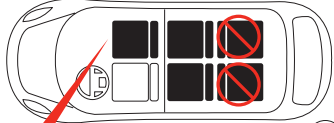


NO

4. Asientos giratorios, a menos que la bandeja se pueda bloquear en posición orientada hacia delante.



NO



NO

NUNCA INSTALLE LA SILLA CUANDO DELANTE HAYA UN AIRBAG ACTIVO



Para la seguridad de su hijo, lea siempre el manual de instrucciones de su auto para más información.



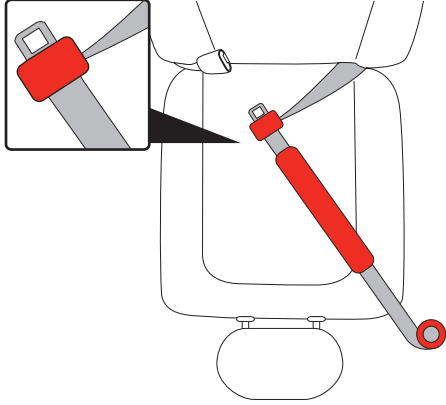
## Descripción general del cinturón de seguridad del vehículo

### Cinturón de cadera / hombro (de 3 puntos) con cinturón de hombro hinchable.

Este tipo de cinturón de seguridad se encuentra en algunos modelos nuevos de vehículos. La correa del hombro del cinturón está equipada con un airbag que se activa en caso de impacto.

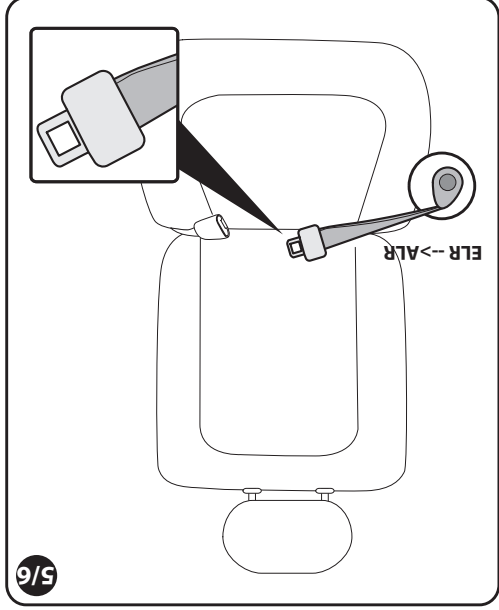
**Nota importante:** NO UTILICE Primo Viaggio Convertible kinetic con este tipo de cinturones

Comuníquese con el Servicio al cliente de Peg Perego al 1-800-671-1701 para obtener información adicional.



## Instalación de su silla de auto en un vehículo

otras opciones de instalación  
([www.nhtsa.gov/cps/cpsfitting/index.cfm](http://www.nhtsa.gov/cps/cpsfitting/index.cfm)).



**Cinturón de cadera (de 2 puntos) con retractor de bloqueo intercambiable (ELR --> ALR).** Este tipo de cinturón de seguridad tiene un pasador cosido en su extremo. Para activar el retractor ALR para la instalación de sillas de auto, algunos modelos pueden requerir que se desenrolle el cinturón por completo; otros modelos pueden necesitar que se desenrolle una parte del cinturón (consulte el manual de instrucciones del vehículo). Ajuste el cinturón alrededor de la silla, enrollando el cinturón de nuevo dentro a menos que desabroche el cinturón y repita la operación desde el principio.

**Cinturón de cadera (de 2 puntos) con retractor de bloqueo de emergencia (ELR).**

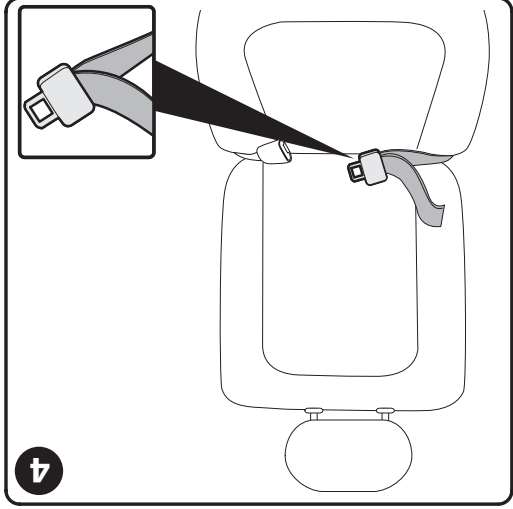
Este tipo de cinturón tiene un pasador cosido en su extremo; sólo se bloqueará en caso de emergencia (frenada repentina o choque).

**Nota importante:** NO UTILICE Primo Viajio Convertible Kinetic con este tipo de cinturones, o consulte a un técnico certificado en seguridad de pasajeros infantiles para

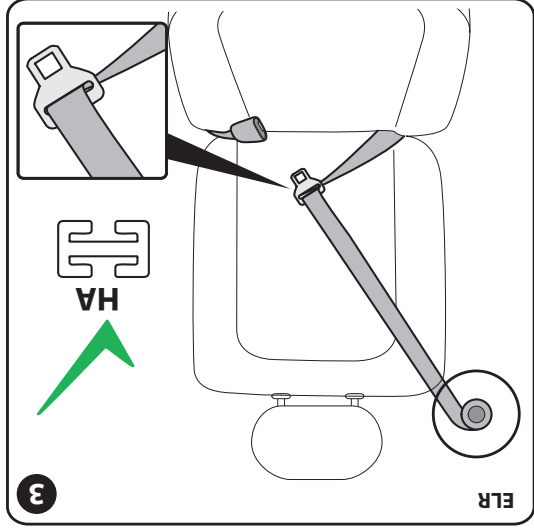
## Instalación de su silla de auto en un vehículo

**Cinturón de cadera (de 2 puntos) con pasador de bloqueo.**  
Este tipo de cinturón se puede ajustar tirando/soltando el extremo de la correa en el pasador:

Algunos vehículos pueden tener cinturones con grandes hebillas rígidas. Estos modelos pueden dificultar la instalación y afectar la estabilidad del producto durante su uso normal. Además, pueden causar arrojamientos del cinturón y limitar las prestaciones en caso de frenada repentina o choque. En esta situación, pruebe la silla en otra posición dentro del vehículo o consulte el manual del mismo.  
Consulte a un técnico certificado en seguridad de pasajeros infantiles para otras opciones de instalación.  
([www.nhtsa.gov/cps/cpsfitting/index.cfm](http://www.nhtsa.gov/cps/cpsfitting/index.cfm)).



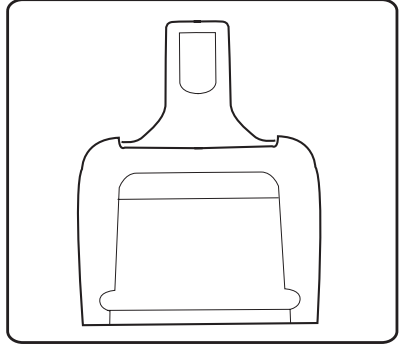
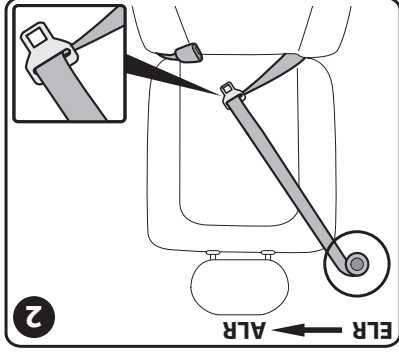
## Instalación de su silla de auto en un vehículo



**Cinturón de seguridad abdominal/diagonal (de 3 puntos) con retractor de emergencia (ELR) y pasador de deslizamiento libre.** Este tipo de cinturón de seguridad tiene un pasador que se desliza libremente sobre el cinturón; sólo se bloqueará en caso de emergencia (frenada repentina o choque), así que debe usar los clips de ajuste para asegurar este tipo de cinturón. Consulte en la página 34 el uso correcto de los clips de bloqueo. Para obtener información adicional, diríjase a un técnico certificado en seguridad de pasajeros infantiles (CPST). Para localizar a un técnico visite la página <http://www.nhtsa.gov/cps/cpsfitting/index.cfm>.

**Nota importante:** los clips de bloqueo ubicados en el lateral de la silla Convertible se utilizan para mejorar la estabilidad durante el uso normal. No están diseñados para reemplazar el clip de ajuste. Debe usarse un clip de ajuste para asegurar adecuadamente el asiento con el cinturón como se ha descrito anteriormente.

## Instalación de su silla de auto en un vehículo



**Cinturón de seguridad abdominal / diagonal (de 3 puntos) con retractor de bloqueo de emergencia (ELR) y pasador de bloqueo.**

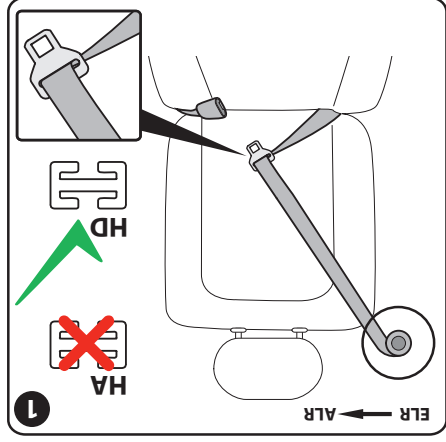
Este tipo de cinturón se puede ajustar tirando/soltando la correa en el dispositivo de ajuste del pasador.  
Consulte el manual de instrucciones de su vehículo para obtener más detalles.

**Nota:** algunos pasadores de bloqueo deben tener la correa colocada con un ángulo correcto para un bloqueo adecuado. Compruebe que el pasador se bloquee correctamente cuando instala la silla de auto con un pasador de bloqueo.

**Nota:** algunos vehículos están equipados con pasador de bloqueo intercambiable, que puede funcionar como pasador de deslizamiento libre o como pasador de bloqueo. En este caso específico, compruebe que el pasador esté configurado como pasador de bloqueo.

## Instalación de su silla de auto en un vehículo

de instalación comienzan en la página 29. **Nota importante:** los clips de bloqueo ubicados en el lateral de la silla Convertible se utilizan para mejorar la estabilidad durante el uso de cinturón de seguridad tiene un pasador retractor de bloqueo automático ni el pasador de bloqueo. El cinturón de seguridad para vehículo se debe ajustar correctamente para instalar de manera segura la silla Convertible en el asiento del automóvil.



**Cinturón de seguridad abdominal/ diagonal (de 3 puntos) con retractor de bloqueo intercambiable (ELR --> ALR) y pasador de deslizamiento libre.** Este tipo de cinturón de seguridad tiene un pasador que se mueve libremente sobre la correa del cinturón. Para activar el modo ALR, extraiga completamente la correa. Es posible que en algunos vehículos el método de activación sea diferente (consulte los detalles en el manual del propietario del vehículo). Cuando el modo está activado, la correa del cinturón no se extiende, a menos que se permita su retracción completa.

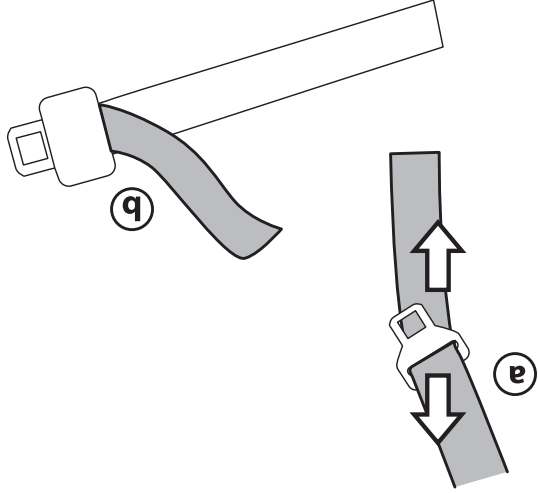
La instalación con orientación hacia atrás se puede hacer utilizando el modo ALR o un clip de bloqueo. En algunos vehículos, cuando se ajusta la correa diagonal es posible que el asiento tienda a inclinarse hacia un lado. En ese caso, un clip de bloqueo puede proporcionar una mejor instalación. El uso del clip de bloqueo se explica en la página 36.

La instalación hacia adelante se debe hacer con el modo ALR y los clips de bloqueo colocados a los lados del asiento. Las instrucciones detalladas del modo

## Instalación de su silla de auto en un vehículo

de emergencia (ELR) a retractor de bloqueo automático (ALR). Esto permite al usuario bloquear el retractor en una posición determinada (también llamada modo de silla de auto) que se utiliza para asegurar las sillas de auto para niños. El modo ALR se activa extendiendo el retractor por completo hasta oír un clic; luego, dejando que el cinturón de seguridad se enrollé dentro del retractor hasta la longitud deseada y deteniendo el cinturón en ese punto. El retractor se bloquea y no permite que el cinturón se siga alargando a partir de ese punto (sólo puede retraerse). Para anular el modo ALR y volver al modo ELR, deje simplemente que el cinturón se retraiga por completo en el retractor.

El pasador puede ser de deslizamiento libre (a) o de bloqueo (b). El pasador de deslizamiento libre está disponible solamente en el cinturón abdominal/diagonal y se mueve libremente a lo largo de la correa. Un pasador de bloqueo tiene un mecanismo para bloquear su movimiento sobre la correa.



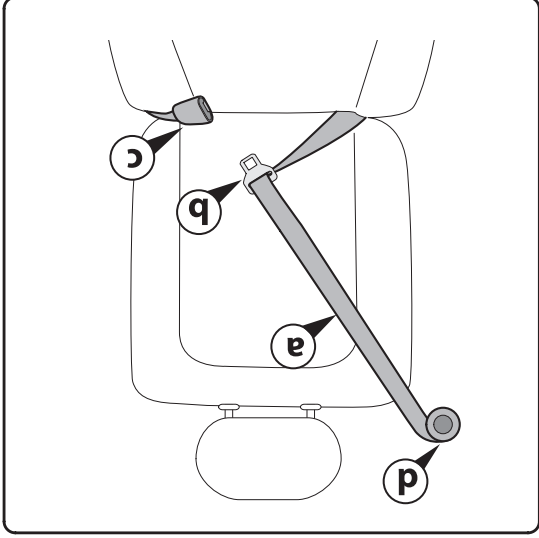
## Instalación de su silla de auto en un vehículo

**CINTURONES DE SEGURIDAD DEL VEHÍCULO:** la silla de auto está diseñada para ser instalada con los cinturones de seguridad del automóvil. Sin embargo, existen muchos tipos de cinturones de seguridad. Lamentablemente, algunos pueden resultar inadecuados para una instalación segura de Primo Viaggio Convertible Kinetic. Consulte los detalles en las páginas siguientes. Consulte el manual de instrucciones de su vehículo o llame al servicio de asistencia al cliente de PegPerego al número 1-800-671-1701 para obtener ayuda.

Los cinturones de seguridad más comunes están formados por una correa de tejido (a), un pasador de enganche (b), una hebilla (c) y un retractor (d). El retractor es un dispositivo de resorte bajo carga que enrolla automáticamente el cinturón cuando éste deja de utilizarse.

Los retractores más comunes son los siguientes: Retractor de bloqueo de emergencia (ELR), que permite que el ocupante tenga libertad de movimiento cuando el cinturón está abrochado, pero en una situación de emergencia o de accidente el retractor se bloquea inmediatamente colocando en seguridad al ocupante.

Retractor de bloqueo intercambiable (ELR > ALR), que pasa de retractor de bloqueo





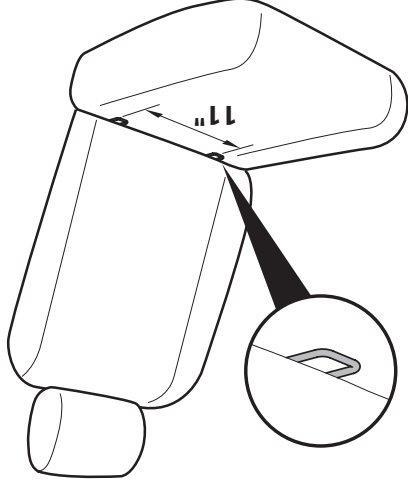
## Instalación de su silla de auto en un vehículo

**SISTEMA LATCH:** Primo Viaggio Convertible Kinetic está equipado con conectores Latch. Estos se encuentran sobre los dos lados de la silla de auto que se fijan en los anclajes situados en la unión del asiento y el respaldo del asiento del vehículo. Hay dos anclajes por cada asiento, pueden estar visibles o ligeramente ocultos por el tapizado del vehículo y pueden estar protegidos con tapas de plástico o de tejido. El anclaje LATCH se puede identificar por este símbolo:

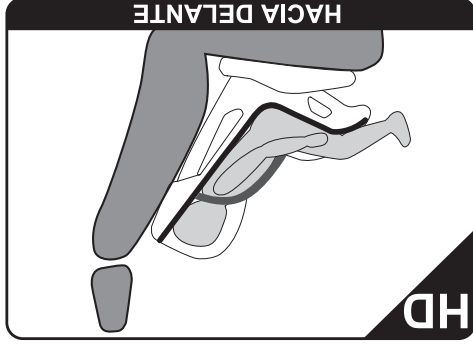
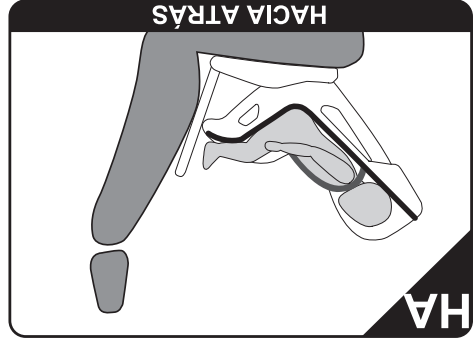


Consulte el manual de su automóvil para encontrar la ubicación de los anclajes LATCH en el mismo.

**Importante:** El límite de peso máximo del sistema Latch es de 40 libras cuando Primo Viaggio Convertible Kinetic se utiliza orientado hacia atrás, y es de 45 libras cuando se utiliza orientado hacia delante.



## Instalación de su silla de auto en un vehículo



Primo Viaggio Convertible Kinetic está diseñada para instalarse en el vehículo orientada hacia atrás (HA) o hacia delante (HD) en un asiento de vehículo orientado hacia delante.

1) El sistema Latch

2) Los cinturones de seguridad del vehículo

3) Además, la silla está equipada con un

enganche superior que se puede fijar en el punto

de anclaje correspondiente, y una anti-rebound

bar (ARB). Peg Perego siempre recomienda el

uso del enganche superior y de la barra ARB

para aumentar la seguridad y la estabilidad de

la silla para auto. Los detalles se describen en las

próximas páginas.

Peg Perego recomienda que las personas

encargadas del cuidado hagan revisar

la instalación de la silla de auto por el

correspondiente técnico certificado en

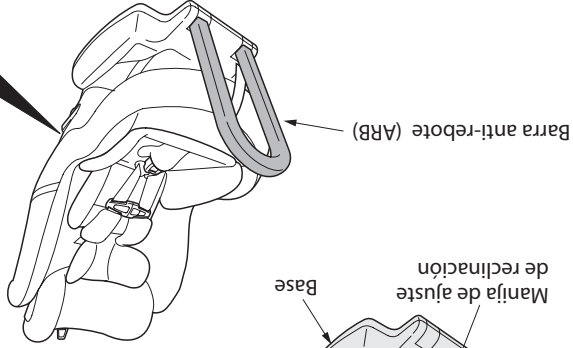
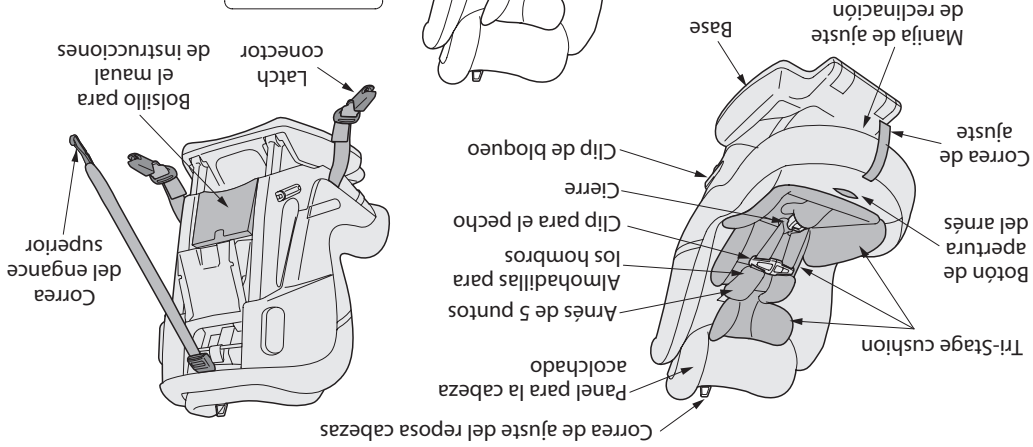
seguridad de pasajeros infantiles. Estos técnicos

están capacitados para este propósito específico

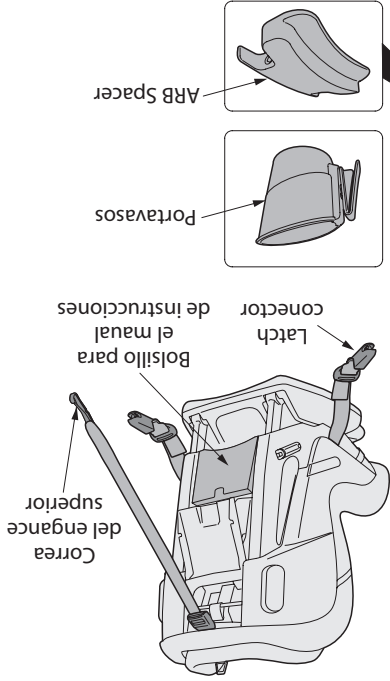
y están disponibles en su zona. Para localizar a un

técnico visite la página <http://www.nhtsa.gov/cps/cpsfitting/index.cfm>

# Silla de auto

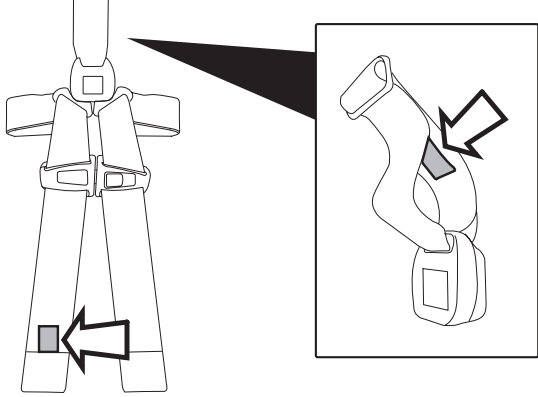


- 13 -



## Formulario de registro

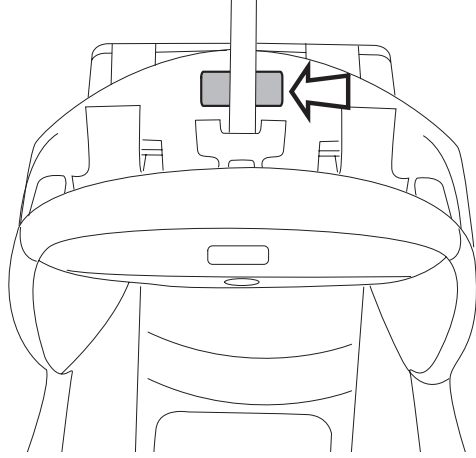
El número de serie del arnés también está impreso de manera indeleble en el cierre y el tejido y proporciona información útil en caso de accidente o defectos. Consulte la imagen siguiente para ubicarlo.



## Formulario de registro

**¡Importante!** Las sillas de auto para niños pueden ser retiradas del mercado por motivos de seguridad. Debe registrar este dispositivo para permitir que le llamen en caso de una operación de retiro del mercado. Envíe su nombre, dirección, el número de modelo del dispositivo y la fecha de fabricación a: Peg Peregó U.S.A., Inc. 3625 Independence Drive Fort Wayne, IN 46808 llame al teléfono gratuito 1-800-671-1701 o registre en línea en [www.carseat-registration.pegperegó.com](http://www.carseat-registration.pegperegó.com)

El formulario de registro se perdiera, llame al Servicio de asistencia al cliente al 1-800-671-1701 para obtener otro. El número de modelo, nombre del modelo, fecha de fabricación, etc. están impresos de forma indeleble en una etiqueta ubicada donde muestra la imagen.

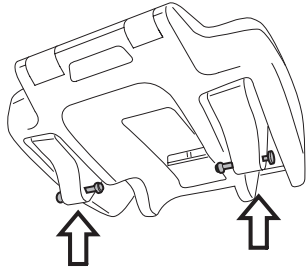


Para información sobre retiros del mercado, llame al número gratuito de Seguridad auto del gobierno estadounidense al 1-888-327-4236 (TTY: 1-800-424-9153) O visite <http://www.NHTSA.gov>

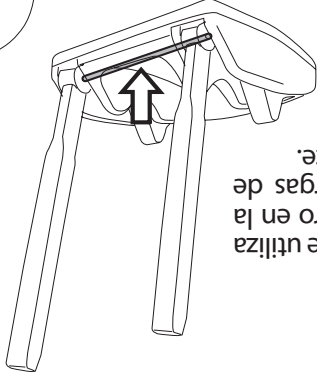
El formulario de registro está adjunto a la cubierta del producto. Extraiga el formulario, complételo y envíelo a PegPeregó. No es necesario poner sello. Ya está pagado. Si el

## Características de seguridad

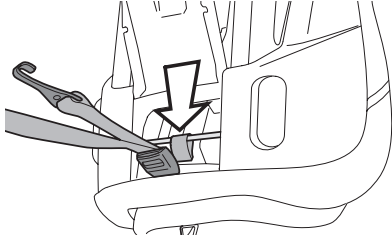
**PERNOS:** la base de la silla está abisagrada sobre pernos de acero que se desplazan dentro de las paredes de plástico durante un accidente.



**BARRA TRASERA:** cuando el producto se utiliza orientado hacia atrás, una barra de acero en la parte trasera del asiento recibe las cargas de compresión provocadas por un accidente.



**BARRA DE ENGANCHE:** la correa de enganche que se encuentra en la parte superior del asiento está unida a una barra que se dobla si se produce un accidente.



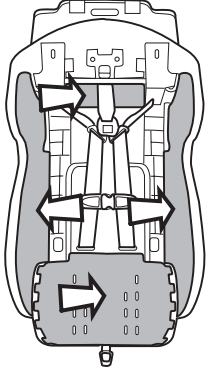
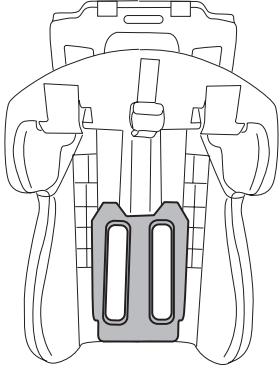
## Características de seguridad

Primo Viaggio Convertible Kinetic cuenta con características de seguridad diseñadas específicamente para proteger a su niño en caso de accidente. Si se produce un accidente grave, hay partes de su silla diseñadas para doblarse o deformarse. Estas piezas absorben la energía del impacto para que no se transmitan al niño. Para mayor información consulte la sección "Cómo saber si la silla estuvo involucrada en un accidente" en la página 60.

**EPS:** la carcasa está cubierta con poliuretano expandido (EPS) de baja densidad, que absorbe la energía y reduce el impacto. También proporciona aislamiento térmico y mayor comodidad cuando se utiliza durante largos periodos de tiempo.

**EPP:** el panel para la cabeza está cubierto con polipropileno expandido (EPP) de baja densidad, que absorbe la energía y reduce la fuerza del impacto. También proporciona aislamiento térmico y mayor comodidad cuando se utiliza durante largos periodos de tiempo.

**PLACA DE ACERO:** la parte del respaldo de la silla está reforzada con una placa de acero que sostiene la columna vertebral, el cuello y la cabeza en presencia de las altas cargas que se generan en un accidente..



- Levántela por la estructura rígida.
- No coloque esta silla de auto en encimeras, mesas ni superficies blandas.
  - El tapizado de la silla y la guata entregados con esta silla son parte del producto y del programa de certificación. No se recomienda el uso de tapizados o de otros accesorios no aprobados.
  - Los componentes de EPS y EPP están integrados en el producto como piezas relacionadas con la seguridad y no deben ser extraídos ni dañados.
  - No intente extraer o añadir piezas a menos que se indique en este manual; no intente reparar este producto. En caso de daños o componentes defectuosos, llame al servicio de asistencia al cliente al número @ 1-800-671-1701 para obtener ayuda.
  - No deje la silla de auto bajo la luz solar directa durante un periodo de tiempo prolongado. La silla podría calentarse en exceso y quemar la piel del niño.
  - Cuando no lo use, almacene el producto en un lugar adecuado, lejos de la luz, la humedad y el calor o frío excesivos.



- Según la Academia Estadounidense de Pediatría (AAP, por sus siglas en inglés), los padres deben llevar a sus niños en sistemas de seguridad para niños orientados hacia atrás hasta la edad de dos (2) años o hasta que alcancen el peso o la altura máximos para los que se diseñó la silla para auto.
- Sujete siempre a su bebé con el arnés integral de 5 puntos proporcionado con el producto. Asegúrese de que los cinturones estén cerrados correctamente. Ajuste el cinturón, cómodamente, alrededor del cuerpo del bebé asegurándose de que el cinturón está plano, sin holguras. Utilice el clip para el pecho para asegurarse de que los cinturones estén en la posición correcta.
- Asegúrese de que la silla de auto esté nivelada adecuadamente. Si la silla se reclina demasiado, su bebé podría sufrir daños o ser expulsado del asiento. Si el asiento está demasiado recto, su bebé podría tener problemas de respiración, lo que podría provocar daños o incluso la muerte.
- Nunca deje al niño sin vigilancia en el coche.
- Si quisiera durante cortos periodos de tiempo, La temperatura interna del habitáculo puede cambiar repentinamente y volverse peligrosa para el niño que se encuentre dentro.
- No deje nunca a su hijo solo en el auto, niquiera por un momento. Podría enredarse con las correas y causarse daños graves o podría mover o tumbar la silla.
- Si el pequeño lleva una chaqueta voluminosa, debe quitársela y colocársela nuevamente de adelante para atrás después de asegurar el arnés.
- Asegure esta silla de auto en el automóvil incluso si no está ocupada. Esta silla de auto es un objeto pesado que podría causar daños graves a otros ocupantes en caso de accidentes.
- No deje objetos, bolsos o equipaje suelto en el vehículo. En caso de accidente, podrían moverse causando daños a sus ocupantes.
- Mantenga los dedos alejados de las piezas móviles.
- No levante esta silla de auto por los arneses, para evitar un desgaste innecesario del tejido.

## Advertencia

latch, con niños de un peso de 5 a 40 libras (de 2.3 a 18.2 kg) y de una altura máxima de 47 pulgadas (119 cm); con la silla orientada hacia delante y con el cinturón de seguridad del vehículo, el peso debe estar entre 22 – 65 libras (10 – 29.5 kg) y, con el sistema Latch, debe estar entre 22-45 libras (10 – 20.4 kg), y con una altura máxima de 49 pulgadas (125 cm).

**ADVERTENCIA:** no utilice los enganches inferiores del sistema de enganche de la silla para auto (sistema LATCH) para fijar esta silla para auto cuando lleve a un niño de más de 40 libras de peso (18.2 kg) con las correas internas de la silla en el modo de colocación orientada hacia atrás, o de más de 45 libras (20.4 kg) en el modo orientado hacia delante • Utilícela con niños que pesen entre 5 y 65 libras (2.3 y 29.5 kg).

• Mantenga a su bebé orientado hacia atrás durante el mayor tiempo posible: NUNCA use Primo Viaggio Convertible Kinetic orientado hacia delante si el bebé pesa menos de 22 libras (10 kg).

enganche universal inferior (LATCH) junto con el enganche superior, ambos dispositivos provistos con este producto. Consulte los detalles de instalación en la sección específica de este manual y en el manual de uso de su vehículo.

• No la utilice en coches con cinturones de seguridad instalados en las puertas o motorizados. Lea el manual de instrucciones de su vehículo para obtener información adicional.

• Cuando la silla de auto está instalada en el asiento del vehículo, compruebe que los cinturones de seguridad del vehículo o el sistema LATCH y las correas de enganche superiores estén bien ajustadas alrededor de la estructura la silla de auto y que no haya holgura. Una silla sujeta de forma incorrecta puede provocar la salida o desaceleración de su hijo en caso de accidente.

• Use esta silla para auto orientada hacia atrás y fijada con el cinturón de seguridad del vehículo con niños de un peso de 5 a 45 libras (de 2.3 a 20.4 kg) y, con el sistema

## Advertencia

- No instale ni utilice este dispositivo de retención para niños hasta que haya leído y comprendido todas las instrucciones de este manual y en las etiquetas del producto. Para evitar daños serios a su bebé, siga cuidadosamente las instrucciones. Guarde el manual de instrucciones en el bolsillo dedicado a este fin para futuras referencias.
- Esta silla de auto cumple o supera todos los requisitos de la Norma Federal de Seguridad de Vehículos de Motor 213 para su uso en automóviles y aviones.
- Cuando esta silla para auto se utiliza orientada hacia atrás, nunca la coloque en asientos de vehículo equipados con un sistema de airbag activo. Pueden producirse daños graves e incluso la muerte si un airbag golpea el dispositivo. Lea el manual de instrucciones de su vehículo para consultar la compatibilidad de la silla de auto con el asiento del automóvil.

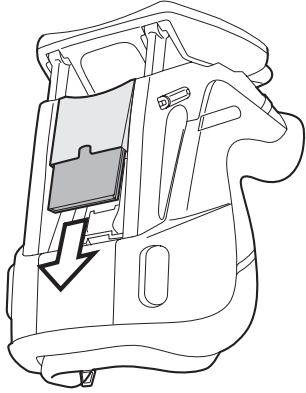
- Este sistema de seguridad para niños está diseñado para ser utilizado en vehículos de pasajeros. No está diseñado para usarse en vehículos de tres ruedas o motocicletas.
- De acuerdo con las estadísticas sobre accidentes, los niños están más seguros cuando están adecuadamente sujetos en el asiento trasero.
- Complete y envíe el formulario de registro proporcionado con el producto de inmediato. En caso de accidente: si la silla de auto está involucrada en un accidente de auto, no será segura para usar de nuevo. Deberá adquirir una nueva. Llame al servicio de asistencia al cliente en el 1-800-671-1701 para obtener ayuda.
- No utilice esta unidad después de diez (10) años de la fecha de fabricación marcada en el asiento.
- Esta silla de auto está diseñada para ser instalada en vehículos con asientos orientados hacia adelante. Nunca la utilice en asientos orientados hacia los lados o hacia atrás.
- Esta silla para auto se puede asegurar en el vehículo utilizando los cinturones de seguridad de regazo, o de regazo y hombros, presentes en su automóvil. Sin embargo, no todos los modelos de cinturones de seguridad disponibles están aprobados para utilizarlos con este producto. Consulte todos los detalles en la sección específica de este manual.
- Esta silla para auto se puede asegurar en el vehículo utilizando el sistema de

## Introducción

Gracias por elegir PegPerego Primo Viaggio Convertible Kinetic. Al igual que cualquier otro producto PegPerego, su Convertible ha sido diseñado y certificado por un equipo de ingenieros expertos del departamento de investigación y desarrollo de Peg Perego. Su Convertible ha sido fabricado y montado en una planta de Peg Perego bajo procedimientos de calidad certificados y usando materiales de primera calidad de proveedores certificados. Como cualquier otra silla de auto, Primo Viaggio Convertible Kinetic se usa con un niño dentro de un vehículo, viajando a alta velocidad en autopistas o lentamente en el tráfico caótico de las ciudades actuales. Esto significa que necesita usar esta silla de forma responsable, conduciendo cuidadosamente cuando lleva a su hijo a bordo y, además, tomándose su tiempo para explorar el producto, conociendo sus características, los diferentes usos posibles y la forma de instalación adecuada.

Lea este manual atentamente, observando al mismo tiempo el producto, comprobando cada punto y comprendiéndolo. Instale el producto en su vehículo tomándose el tiempo necesario y haciendo pruebas antes de usarlo con su hijo. Una vez que haya leído este manual, guárdelo en el bolsillo correspondiente. Esto le garantizará que cualquier persona que cuide a su bebé y use esta silla podrá buscar ayuda en este manual si fuera necesario.

Tras familiarizarse con el producto, si observara algún fallo o viera partes rotas, no dude en llamar al Servicio de asistencia al cliente de Peg Perego al número 1-800-671-1701 para obtener ayuda. Ahora que conoce su nuevo Primo Viaggio Convertible Kinetic, está listo para disfrutar de viajes seguros y felices con su familia y sus hijos.



## Tabla de contenidos

Instalación de la silla de auto en un vehículo – Orientación hacia delante:	página 40
• ORIENTACIÓN HACIA DELANTE usando el sistema Latch	
• ORIENTACIÓN HACIA DELANTE usando el cinturón	
de seguridad abdominal/diagonal (Tipo II)	
• ORIENTACIÓN HACIA DELANTE usando el cinturón	
de seguridad de cadera (Tipo I)	
• Uso del enganche en la orientación hacia delante	
Instalación de la silla en un avión	
Asegurar a su bebé en la silla de auto:	
• Uso y ajuste de las correas	
• Tri-Stage Cushion	
• Portavasos	
Limpeza y mantenimiento	
Cómo saber si la silla estuvo involucrada en un accidente	
Piezas de repuesto	
página 63	
página 60	
página 55	
página 54	
página 54	
página 49	
página 47	
página 46	
página 44	
página 42	
página 40	

## Tabla de contenidos

Introducción	
<b>⚠ Advertencia</b>	
Características de seguridad	página 4
Formulario de registro	página 5
Silla de auto	página 9
Instalación de la silla para auto en un vehículo:	página 11
• Sistema Latch	página 13
• Cinturones de seguridad del vehículo	página 15
• Cinturones de seguridad no compatibles	página 16
• Enganche superior	página 24
• Grupo de peso y dimensión	página 25
Instalación de la silla de auto en un vehículo – Orientación hacia atrás:	página 28
• Nivelación correcta con la silla de auto orientada hacia atrás	página 29
• Barra anti-rebote (ARB)	página 30
• ARB Spacer	página 31
• ORIENTACIÓN HACIA ATRÁS usando el sistema Latch	página 32
• ORIENTACIÓN HACIA ATRÁS usando el cinturón	página 34
• de seguridad abdominal/diagonal (Tipo II)	página 36
• Uso de un clip de bloqueo	página 37
• ORIENTACIÓN HACIA ATRÁS usando el cinturón de cadera (Tipo I)	página 37

**PegPerego**

**USA**

Instrucciones de uso ES

FU522011264

**PRIMO VIAGGIO**

**Convertible kinetic**



**⚠️ ADVERTENCIA:** No instale ni utilice esta silla de auto para niños sin antes leer y entender todas las instrucciones de este manual. Para evitar heridas graves a su bebé, siga las instrucciones atentamente y asegúrese de sujetar a su bebé con el arnés de 5 puntos.

Limites de peso con la silla orientada hacia atrás con el cinturón del vehículo: 5 - 45 libras (2.3 - 20.4 kg)  
Limites de peso con la silla orientada hacia atrás con el cinturón del vehículo: 22 - 65 libras (10 - 29.5 kg)  
Limites de peso con la silla orientada hacia adelante con el cinturón del vehículo: 22 - 45 libras (10 - 20.4 kg)  
LATCH: orientada hacia adelante con altura máxima: 47 pulgadas (119 cm)

Limites de peso con la silla orientada hacia adelante con el cinturón del vehículo: 22 - 45 libras (10 - 20.4 kg)  
LATCH: orientada hacia adelante con altura máxima: 49 pulgadas (125 cm)